

## 851 series • Specification 30B

### Description

- Derived from 851 / MIL-C-26482 S1
- Shells in aluminium alloy with a larger thickness of the flange and reinforced keyways : high robustness
- Hard anodized plating
- Sealing level (IP67) enhanced with white interfacial seal on receptacle and possibility of compound at the rear of the receptacle
- Exist today in 2 contact layouts : shell size 20 with 16 contacts and shell size 16 with 8 contacts
- Plugs delivered with or without coupling ring, no grommet, no backshell
- Not Intermateable with MIL-C 26482 S1



### Applications

- Seismic data acquisition units for land and/or shallow water survey

### Technical features

#### Mechanical

- Durability : 500 cycles

#### Material

- Shell : Aluminium alloy
- Insert : Neoprene elastomer
- Interfacial seal : Silicone
- Contacts : Copper alloy with gold plating

#### Electrical

- Insulation resistance : 5000 M $\Omega$
- Dielectric withstanding voltage = 2300 V
- Contact resistance : 3 m $\Omega$
- Current rating per contact : size 16 contact = 13 Amps

#### Cable acceptance

- Wire gauge 14 Max

#### Environmental

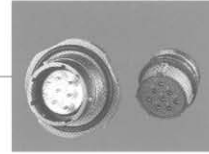
- Working temperature : -55°C +125°C
- Sealing : IP67
- Damp heat : 21 days
- Resistance to salt spray : 48 hours
- Resistance to chemicals in accordance with MIL-C-26482 S1

### Product range

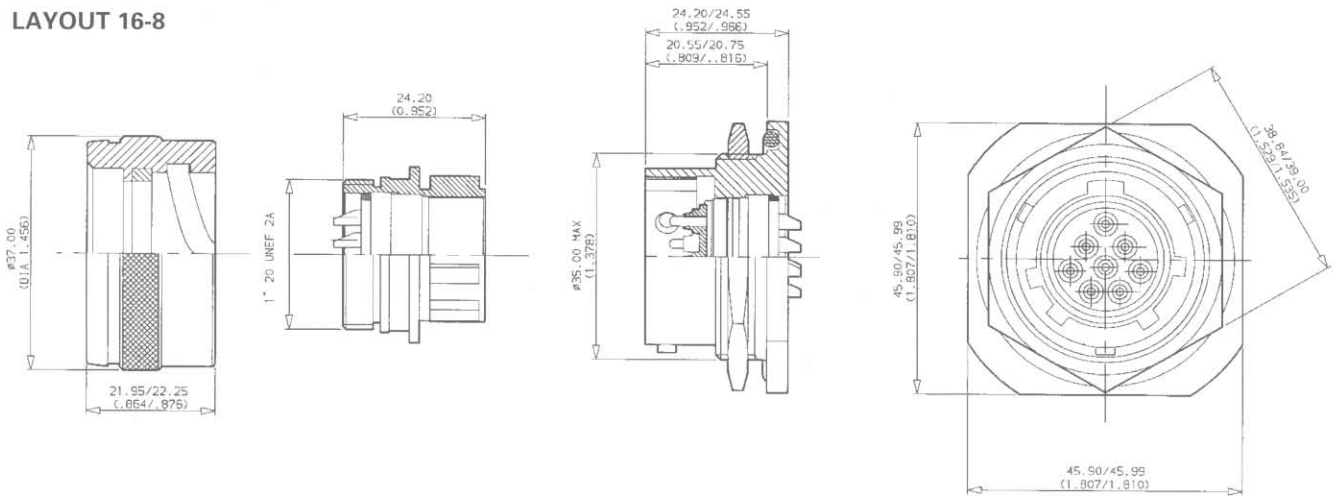
P/N	Description	Number of contacts	Shell size	Contact type	
85125E168P5030B	Jam nut receptacle	8	16	Solder	Pin
85125E2016P5030B	Jam nut receptacle	16	20	Solder	Pin
85115E2016P5030B	Free receptacle	16	20	Solder	Pin
85145E168S5030B	Plug without coupling ring	8	16	Solder	Socket
85145E2016S5030B	Plug without coupling ring	16	20	Solder	Socket
85155E168S5030B	Plug with coupling ring	8	16	Solder	Socket
85155E2016S5030B	Plug with coupling ring	16	20	Solder	Socket
8501-763-905	Coupling ring		20		
8501-774-905	Coupling ring		16		
85135E2016P5030B	Square flange receptacle	16	20	Solder	Pin

# Geophysics

## Contact layouts



**LAYOUT 16-8**



**LAYOUT 20-16**

