

851 series • Specification W2

Description

- Derived from 851 / MIL-C-26482 S1
- Shells in stainless steel : high resistance to corrosion
- Sealing level (IP67) enhanced with interfacial seal on receptacles
- 3 different keying positions color coded :
 - keying N : grey color
 - keying G : red color
 - keying H : blue color
 - keying U : green color (universal keying)
- Exist today in 2 contact layouts : shell size 20 with 16 contacts and shell size 16 with 8 contacts
- Plugs delivered without coupling rings
- Not intermateable with standard MIL-C-26482 S1



Applications

- Seismic data acquisition units for land and/or shallow water survey

Technical features

Mechanical

- Durability : 500 cycles

Material

- Shell : Stainless steel
- Insert : Neoprene elastomer
- Interfacial seal : Silicone
- Contacts : Copper alloy with gold plating

Electrical

- Insulation resistance : 5000 M Ω
- Dielectric withstanding voltage : 2300 V
- Contact resistance : 3 m Ω
- Current rating per contact : 13 Amps

Cable acceptance

- Wire gauge : 14 Max

Environmental

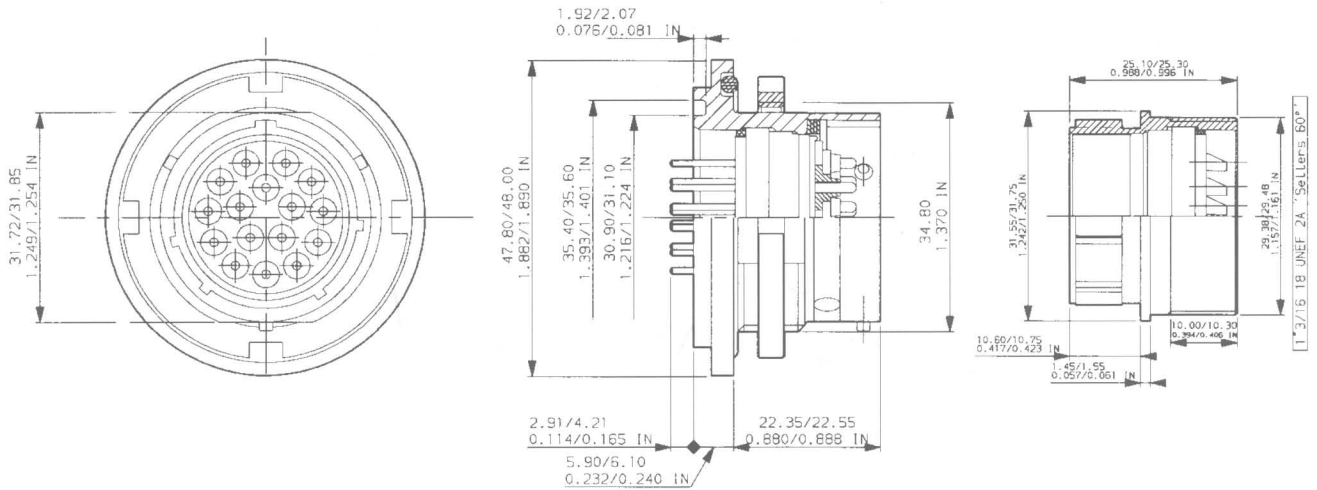
- Working temperature : -55°C +125°C
- Sealing : IP67
- Damp heat : 21 days
- Resistance to salt spray : 48 hours
- Resistance to chemicals in accordance with MIL-C-26482 S1

Product range

P/N	Description	Number of contacts	Contact type	Keying	
85106E168SG50W2	Plug without coupling ring	8	Solder	G	Socket
85106E168SH50W2	Plug without coupling ring	8	Solder	H	Socket
85106E168SN50W2	Plug without coupling ring	8	Solder	N	Socket
85106E168SU50W2	Plug without coupling ring	8	Solder	U	Socket
85106E2016SN50W2	Plug without coupling ring	16	Solder	N	Socket
85106E2016SG50W2	Plug without coupling ring	16	Solder	G	Socket
85106E2016SH50W2	Plug without coupling ring	16	Solder	H	Socket
85106E2016SN50W2	Plug without coupling ring	16	Solder	N	Socket
85106E2016SU50W2	Plug without coupling ring	16	Solder	U	Socket
85107A168PG50W2	Jam nut receptacle	8	PC tails	G	Pin
85107A168PH50W2	Jam nut receptacle	8	PC tails	H	Pin
85107A168PN50W2	Jam nut receptacle	8	PC tails	N	Pin
85107A2016PG50W2	Jam nut receptacle	16	PC tails	G	Pin
85107A2016PH50W2	Jam nut receptacle	16	PC tails	H	Pin
85107A2016PN50W2	Jam nut receptacle	16	PC tails	N	Pin

Geophysics

Contact layouts



ORIENTATION N

ORIENTATION G

ORIENTATION H

