

891/2 Series



Applications

Aircraft engines
High temperature applications

Standards

MIL-C 5015 G, class K
NFL 54140



Description

- Screw coupling
- High temperature connector for severe environment
- Fire resistant and fire wall
- High level of shock and vibration
- Thermocouple contacts available except hermetic class
- Stainless steel shells
- Hermetic version available with male contacts only

Characteristics

Mechanical

All 89 series connectors listed below are interchangeable and intermateable with other connectors conforming to MIL-C-5015G, class K.

connector series	temperature range	fire-proof	with self-locking	number of operations	thread plating	interfacial sealing
standard 891	-55° +200°C	yes	yes	500	on plug	yes
standard 892	-55° +260°C	yes	yes	500	on plug	yes
892-04 (ESC.004)	-55° +260°C	yes	yes	500	on plug	no
special 891*	-55° +200°C	yes	no	3000	plug and receptacle	yes
special 892*	-55° +260°C	yes	no	3000	plug and receptacle	yes

* Only available on special request

Firewall and fireproof tests

891, 892 and 892.04 (ESC.004) series, comply with the following specifications :
NF 54140, AIR 8467, test 14
MIL-C 5015G class K - 4.3.20 - 4.6.16
ESC 00015 and ESC 00024

Electrical

Maximum current rating per contact :

contact size	temperature (Max.)		
	20°C	175°C	260°C
16	20	10	7.5
12	35	19	13
4	110	55	39

Dielectric withstanding voltage :

service	at ground level	at 21,000 meters (approx. 69.000 feet)
inst	1000 Vrms	260 Vrms
A	2000 Vrms	360 Vrms
D	2800 Vrms	400 Vrms
E	3500 Vrms	440 Vrms

Insulation resistance (at 500 Vdc) :
at normal temperature 5000 MΩ

Ordering information : 891/2 connectors without backfittings 891/2 hermetic connectors

basic series	89 1 - 00 K -16S- 8 - S - N - L
sub series	1 - 200°C 2 - 260°C
shell style	— - standard connector 00 - square flange receptacle with thread for backfittings 02 - square flange receptacle without thread for backfittings 07 - jam nut receptacle (on request) 06 - plug without self-locking 26 - plug with self-locking — - hermetic connectors 01 - solder fixing receptacle 02 - square flange receptacle 05 - large flange, solder fixing receptacle
class	K - fire resistant (standard) H - hermetic
shell size	- 10SL, 12S, 14S, 16S, 16, 18, 20, 22, 24 or 28
contact layouts	- see table p 5
contacts	P - male S - female
polarization	N (normal), W, X, Y, Z - see table p 6 L - connector without contacts

891/2 Series



891/2 connectors with backfittings

basic series	89	1 - 26	F - 22 - 14 - P - N - L
sub series	1 - 200°C	2 - 260°C	
shell style	00 - square flange receptacle 07 - jam nut receptacle (on request) 26 - plug with self-locking 06 - plug without self-locking		
type of backfitting	A - straight adapter C - elbow adapter (on request) E - simple backnut (may be fitted onto A or C)* F - cable clamp (may be fitted onto A or C)*		
shell size	- 10SL, 12S, 14S, 16S, 16, 18, 20, 22, 24 or 28		
contact layouts	- see table p 5		
contacts	P - male	S - female	
polarization	N (normal), W, X, Y, Z - see table p 6		
L	connectors without contacts		

892 suffix 04 connectors with backfittings (including types corresponding to ESC & PAN nos.)

basic series	89	2 - 26 - E - 24 - 28 - P - N - 04	L
sub series	2 - 260°C		
shell style	00 - square flange receptacle 26 - self-locking plug		
type of backfitting	K - no backfitting A - with straight adapter C - with elbow adapter (on request) E - with simple backnut F - with cable clamp		
shell size	- 10SL, 12S, 14S, 16S, 16, 18, 20, 22, 24 or 28		
contact layouts	- see table p 5 0 (note : some arrangements are not included in Rolls-Royce JDS 1371 spec.)		
contacts	P - male	S - female	
polarization	N (normal), W, X, Y, Z - see table p 6		
	04 - compulsory digits - ESC.004 specification		
	- connectors supplied without contacts (compulsory)		

As above but Rolls-Royce ESC part nos.

Rolls-Royce connector specifications	ESC. 004-	K - A - 24 - 28 - P - N
specification number		
shell style	A - square flange receptacle K - self-locking plug	
type of backfitting	O - no backfitting A - with simple backnut B - with straight cable clamp D - with straight adapter E - with elbow adapter (on request)	
shell size	- 10SL, 12S, 14S, 16S, 16, 18, 20, 22, 24 or 28	
contact layouts	- see table p 5 (note : some arrangements are not included in Rolls-Royce JDS 1371 spec.)	
contacts	P - male	S - female
polarization	N (normal), W, X, Y, Z - see table p 6	

Note : contacts are not supplied with these connectors

891/2 Series



Part number cross reference tables

FCI Souriau 891 (200°C) series/MIL-C 5015G classes KS & HS

MIL-C 83723 Series II

MIL-C 39029

Plugs/receptacles with contacts

description	FCI Souriau part number	MIL-C 5015G class KS	MIL-C 83723 Series II
square flange receptacle	891.00K..... P	MS3450 KS..... P	M83723.20K.....
	891.00K..... S	MS3450 KS..... S	M83723.19K.....
plug without self locking	891.06K..... P	MS3456 KS..... P	M83723.24K.....
	891.06K..... S	MS3456 KS..... S	M83723.23K.....
plug with self locking	891.26K..... P	MS3459 KS..... P	M83723.52K.....
	891.26K..... S	MS3459 KS..... S	M83723.53K.....
jam nut receptacle	891.07K..... P		
	891.07K..... S		
square flange receptacle	891.02K..... P		
	891.02K..... S		

Contacts

description	FCI Souriau part number	MIL-C 39029
pin. 16.16	8950.4100B	M39029.29.16.16
pin. 12.12	8950.4107B	M39029.29.12.12
pin. 4.4	8950.4112B	M39029.29.4.4
socket 16S.16 short	8950.4101C	M39029.30.16S.16
socket 16.16 long	8950.4105C	M39029.30.16.16
socket 12.12	8950.4108B	M39029.30.12.12
socket 4.4	8950.4113B	M39029.30.4.4

Hermetic receptacles

description	FCI Souriau part number	MIL-C 5015G class HS
solder mounting	891.01H..... P	
square flange receptacle	891.02H..... P	MS 3142 HS...C ...P
solder mounting	891.05H..... P	MS 3143 HS...C ...P

FCI Souriau 892 (260°C) series / MIL-C 5015G classes KS & HS

Plugs/receptacles with contacts

description	FCI Souriau part number	MIL-C 5015G class KS
square flange receptacle	892.00 K P	MS 3450 KS P
	892.00 K S	MS 3450 KS S
plug without self locking	892.06 K P	MS 3456 KS P
	892.06 K S	MS 3456 KS S
plug with self locking	892.26 K P	MS 3459 KS P
	892.26 K S	MS 3459 KS S
jam nut receptacle	892.07 K P	
	892.07 K S	
square flange receptacle	892.02 K P	
	892.02 K S	

Hermetic receptacles

description	FCI Souriau part number	MIL-C-5015G class HS
solder mounting	892.01 H..... P	
square flange receptacle	892.02 H..... P	MS 3142 HS ...C ...P
solder mounting	892.05 H..... P	MS 3143 HS ...C ...P

Accessories

description	FCI Souriau part number	MIL-C-5015G
size 16 sealing plugs	8522.390A	MS 3187.16.2
size 12 sealing plugs	8522.391A	MS 3187.12.2
size 4 sealing plugs	8950.4152	MS 3187.4.2
size 16 insertion/extraction tool	8522.16	MS 3447.16
size 12 insertion/extraction tool	8522.12	MS 3447.12
size 4 extraction tool	8950.4004	MS 3165.4

891/2 Series



FCI Souriau 891 (200°C) series / NFL 54140 class 1 (France) 892 (260°C) series / NFL 54140 class 2 (France)

Plugs/receptacles with contacts

description	FCI Souriau part number	NFL 54140
square flange receptacle	891 00 2	91 00 2
	892 00 2	92 00 2
plug without self locking	891 06 2	91 06 2
	892 06 2	92 06 2
jam nut receptacle	891 07 2	91 07 2
	892 07 2	92 07 2

Backfittings

description	FCI Souriau part number	NFL 54140
back nut	8950 E	9R
straight adapter	8950 A	9RA
cable clamp	8950 F	9RC

FCI Souriau 892 suffix 04(260°C) series / ESC.004 (Rolls-Royce) PAN 6434 (Panavia)

Plugs/receptacles without contacts

description	FCI Souriau part number	PAN 6434	ESC.004
square flange receptacle	892.00K 04L		ESC.004 AO
plug with self locking	892.26K 04L		ESC.004 KO
hermetic receptacle/solder flange	892.05H 04*		ESC.004 CO

*on request

Receptacles/plugs with end fittings, without contacts

description	FCI Souriau part number	PAN 6434	ESC.004
square flange receptacle with backnut	892.00E 04L	PAN 6434 CG	ESC.004 AA
square flange receptacle with cable clamp	892.00F 04L	PAN 6434 CA	ESC.004 AB
square flange receptacle with straight adapter	892.00A 04L	PAN 6434 CB	ESC.004 AD
plug with straight adapter	892.26A 04L	PAN 6434 DB	ESC.004 KD
plug with cable clamp	892.26F 04L	PAN 6434 DA	ESC.004 KB
plug with elbow adapter	892.26C 04L*	PAN 6434 DE	ESC.004 KE

*on request

Backfittings

description	FCI Souriau part number	PAN 6434	ESC.004
back nut	8950.E		ESC.004 OA
cable clamp	8950.F		ESC.004 OB
straight adapter	8950.A		ESC.004 OD
elbow adapter	8950.C*		ESC.004 OE

*on request

Contacts

description	FCI Souriau part number	PAN 6434	ESC.004
pin, standard, 16.16	8950-5049A	PAN 6434 PA	ESC.007 PB 16
pin, standard, 16.24	8950-5048A	PAN 6434 PB	ESC.007 PA 16
pin, alumel, 16.16	8950-5149		ESC.007 PB 16A
pin, chromel, 16.16	8950-5143		ESC.007 PB 16C
socket, standard, short 16.16	8950-5052A	PAN 6434 SD	ESC.007 SB 16S
socket, standard, short 16.24	8950-5050	PAN 6434 SE	
socket, standard, long 16.16	8950-5053A	PAN 6434 SF	ESC.007 SB 16L
socket, standard, long 16.24	8950-5051	PAN 6434 SG	
socket, alumel, short, 16.16	8950-5151		ESC.007 SB 16SA
socket, alumel, long, 16.16	8950-5153		ESC.007 SB 16LA
socket, chromel, short 16.16	8950-5145		ESC.007 SB 16SC
socket, chromel, long 16.16	8950-5147		ESC.007 SB 16LC

891/2 Series



Contact layouts

10SL	12S	14S	16S	16	18
 10SL.3 □ 3#16	 12S.3 □ 2#16	 14S.2 □ 4#16	 16.S1 □ 7#16	 16.11 2#12	 18.1 □ 10#16
 10SL.4* □ 2#16		 14S.5 5#16	 16.S8* ■ 5#16		 18.5* ■ 1#16 2#12
		 14S.6 □ 6#16			 18.11 ■ 5#12
		 14S.7 □ 3#16			

20	22	24	28
 20.18* ■ 6#16 3#12	 22.14 ■ 19#16	 24.28 ■ 24#16	 28.12* ■ 26#16
 20.27 ■ 14#16			 28.21 37#16
 20.29 ■ 17#16			 28.22 3#16 3#4

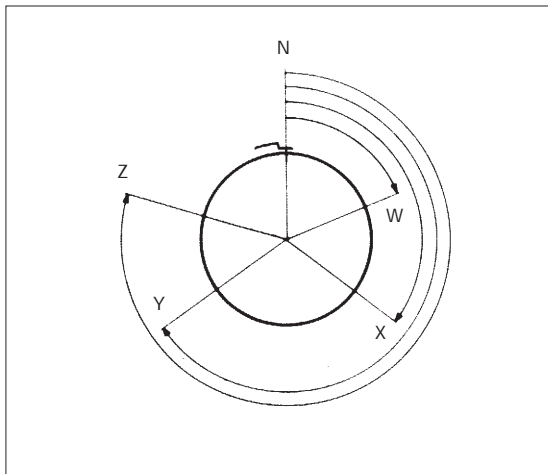
* these arrangements not available with ESC.004 (FCI Souriau 892 suffix 04) part numbers

□ these arrangements are available in hermetic receptacles

891/2 Series



Polarization



shell size	contact arrangement	orientation in degrees				
		N	W	X	Y	Z
10SL	10SL.3	0	-	-	-	-
	10SL.4	0	-	-	-	-
12S	12S.3	0	70	145	215	290
	14S.2	0	-	120	240	-
14S	14S.5	0	-	110	-	-
	14S.6	0	-	-	-	-
	14S.7	0	90	180	270	-
	16S.1	0	80	-	-	280
16S	16S.8	0	-	170	265	-
	16	16.11	0	35	110	250
18	18.1	0	70	145	215	290
	18.11	0	-	170	265	-
20	20.18	0	35	110	250	325
	20.27	0	35	110	250	325
	20.29	0	80	-	-	280
22	22.14	0	80	-	-	280
24	24.28	0	80	110	250	280
	28.12	0	90	180	270	-
28	28.21	0	80	110	250	280
	28.22	0	70	145	215	290

Standard and thermocouple contacts (with colour bands)

Standard contacts

contact type	size	wire size	891 (200°C) series		892 (260°C) series		892.04 (ESC) series	
			part n°	col. bands	part n°	col. bands	part n°	col. bands
pin	16	16-20	8950-4773A	blue/blue	8950-4773A	blue/blue	8950-5049A	blue/blue
short socket	16	16-20	8950-4778	blue/blue	8950-4778	blue/blue	8950-5052A	blue/blue
long socket	16	16-20	8950-4779	blue/blue	8950-4779	blue/blue	8950-5053A	blue/blue
pin	12	12-14	8950-4774	-	8950-4774	-	-	-
socket	12	12-14	8950-4781	-	8950-4781	-	-	-
pin	4	4-6	8950-4775	-	8950-4775	-	-	-
socket	4	4-6	8950-4783	-	8950-4783	-	-	-

Contacts with reduced barrels

contact type	size	wire size	891 (200°C) series		892 (260°C) series		892.04 (ESC) series	
			part n°	col. bands	part n°	col. bands	part n°	col. bands
pin	16	20-24	8950-5833	-	8950-5833	-	8950-5048A	blue/green
short socket	16	20-24	8950-5835	-	8950-5835	-	8950-5050A	blue/green
long socket	16	20-24	8950-5838	-	8950-5838	-	8950-5051A	blue/green

Special contacts (long barrel with external cable dia. ≥ 3.3 mm)

contact type	size	wire size	891 (200°C) series		892 (260°C) series		892.04 (ESC) series	
			part n°	col. bands	part n°	col. bands	part n°	col. bands
pin	16	16-20	8950-5049A	blue/blue	8950-5049A	blue/blue	-	-
short socket	16	16-20	8950-5052A	blue/blue	8950-5052A	blue/blue	-	-
long socket	16	16-20	8950-5053A	blue/blue	8950-5053A	blue/blue	-	-

Thermocouple alumel contacts

contact type	size	wire size	891 (200°C) series		892 (260°C) series		892.04 (ESC) series	
			part n°	col. dot	part n°	col. dot	part n°	col. bands
pin	16	16-20	8950-4122	black	8950-4122	black	8950-5149	-
short socket	16	16-20	8950-4123B	black	8950-4123B	black	8950-5151	-
long socket	16	16-20	8950-4128B	black	8950-4128B	black	8950-5153	-
pin	16	20-24	8950-5843	black	8950-5843	black	-	-
short socket	16	20-24	8950-5849	black	8950-5849	black	-	-
long socket	16	20-24	8950-5851	black	8950-5851	black	-	-

Thermocouple chromel contacts

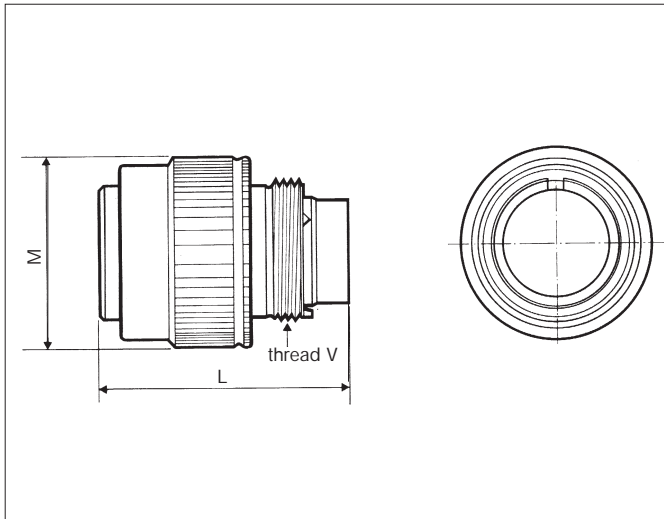
contact type	size	wire size	891 (200°C) series		892 (260°C) series		892.04 (ESC) series	
			part n°	col. dot	part n°	col. dot	part n°	col. bands
pin	16	16-20	8950-4132	yellow	8950-4132	yellow	8950-5143	-
short socket	16	16-20	8950-4133B	yellow	8950-4133B	yellow	8950-5145	-
long socket	16	16-20	8950-4138B	yellow	8950-4138B	yellow	8950-5147	-
pin	16	20-24	8950-5841	yellow	8950-5841	yellow	-	-
short socket	16	20-24	8950-5845	yellow	8950-5845	yellow	-	-
long socket	16	20-24	8950-5847	yellow	8950-5847	yellow	-	-

891/2 Series



Dimensions

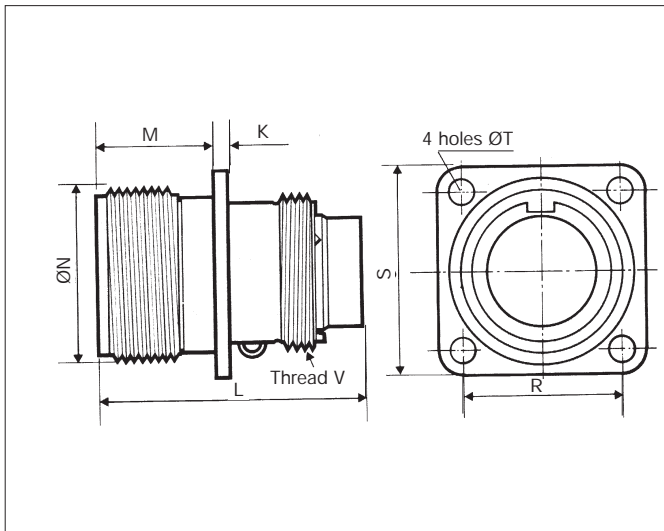
Plugs - type 06 and type 26



shell size	L	M	V
10SL	39.65 1.56	23.50 0.93	5/8"-24 UNEF.2A
12S	39.65 1.56	25.50 1.00	†
14S	39.65 1.56	28.00 1.10	3/4"-20 UNEF.2A
16S	39.65 1.56	31.90 1.26	7/8"-20 UNEF.2A
16	44.15 1.74	31.90 1.26	7/8"-20 UNEF.2A
18	44.15 1.74	34.00 1.34	1"-20 UNEF.2A
20	44.15 1.74	37.50 1.48	1 3/16"-18 UNEF.2A
22	44.15 1.74	40.60 1.60	1 1/4"-18 UNEF.2A
24	44.15 1.74	43.80 1.72	1 7/16"-18 UNEF.2A
28	44.15 1.74	50.00 1.97	1 5/8"-18 UNEF.2A

† : 5/8" - 24 UNEF.2A for all types except Rolls-Royce ESC.004 connectors which have an 11/16" - 24 UNEF.2A thread

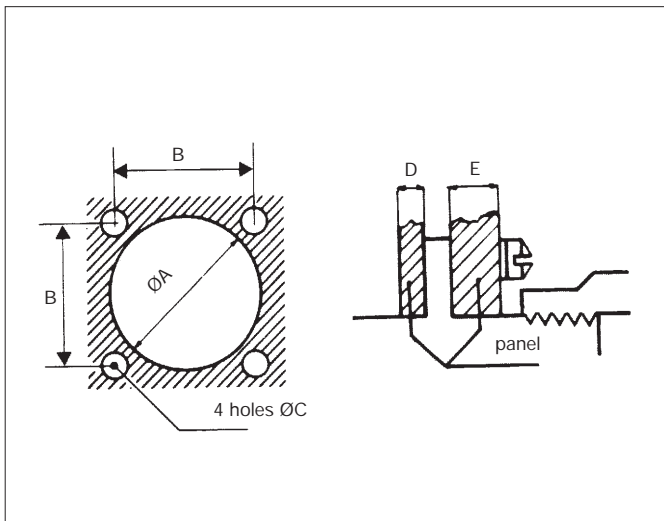
Square flange receptacles - type 00



shell size	K	L	M	N	R	S	T	V
10SL	1.60 .06	39.65 1.56	14.90 .59	15.84 .62	18.25 .72	25.25 .99	3.80 .15	5/8"-24 UNEF.2A
12S	1.60 .06	39.65 1.56	14.90 .59	19.02 .75	20.60 .81	27.60 1.09	3.80 .15	†
14S	1.60 .06	39.65 1.56	14.90 .59	22.19 .87	23.00 .91	30.00 1.18	3.80 .15	3/4"-20 UNEF.2A
16S	1.60 .06	39.65 1.56	14.90 .59	25.40 1.00	24.60 .97	32.62 1.28	3.80 .15	7/8"-20 UNEF.2A
16	1.60 .06	44.15 1.74	19.65 .77	25.40 1.00	24.60 .97	32.62 1.28	3.80 .15	7/8"-20 UNEF.2A
18	1.60 .06	44.15 1.74	19.65 .77	28.50 1.12	26.97 1.06	35.00 1.38	4.60 .18	1"-20 UNEF.2A
20	2.00 .08	44.15 1.74	19.65 .77	31.70 1.25	29.40 1.16	37.40 1.47	4.60 .18	1 3/16"-18 UNEF.2A
22	2.00 .08	44.15 1.74	19.65 .77	34.88 1.37	31.75 1.25	40.80 1.61	4.60 .18	1 1/4"-18 UNEF.2A
24	2.00 .08	44.15 1.74	20.65 .81	38.05 1.50	34.90 1.37	43.90 1.73	4.60 .18	1 7/16"-18 UNEF.2A
28	2.00 .08	44.15 1.74	20.65 .81	44.40 1.75	39.65 1.56	50.65 1.99	4.60 .18	1 5/8"-18 UNEF.2A

† : 5/8" - 24 NEF.2A for all types except Rolls-Royce ESC.004 connectors which have an 11/16" - 24 NEF.2A thread

Panel cut-out

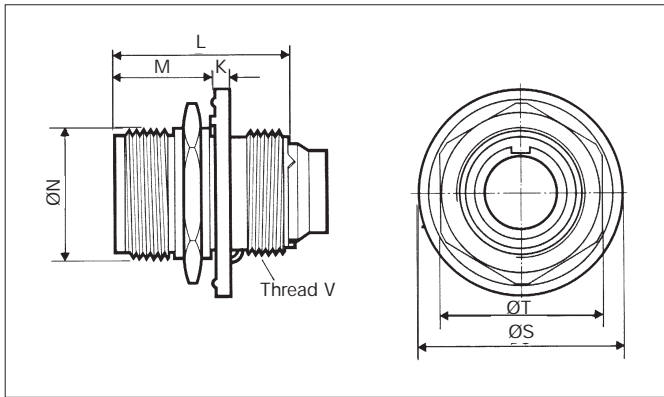


shell size	front of panel				rear of panel			
	A	B	C	D Max	A	B	C	E Max
10SL	20.50 .81	18.25 .72	3.80 .15	10.00 .39	17.00 .67	18.25 .72	3.80 .15	6.0 .24
12S	20.50 .81	20.60 .81	3.80 .15	10.00 .39	20.20 .79	20.60 .81	3.80 .15	6.0 .24
14S	23.50 .93	23.00 .91	3.80 .15	10.00 .39	23.40 .92	23.00 .91	3.80 .15	6.0 .24
16S	26.50 1.04	24.60 .97	3.80 .15	10.00 .39	26.60 1.05	24.60 .97	3.80 .15	6.0 .24
16	26.50 1.04	24.60 .97	3.80 .15	10.00 .39	26.60 1.05	24.60 .97	3.80 .15	5.30 .21
18	29.80 1.17	27.00 1.06	4.60 .18	10.00 .39	29.70 1.17	27.00 1.06	4.60 .18	5.30 .21
20	34.60 1.36	29.40 1.16	4.60 .18	10.00 .39	32.90 1.29	29.40 1.16	4.60 .18	5.30 .21
22	36.20 1.43	31.75 1.25	4.60 .18	10.00 .39	36.10 1.42	31.75 1.25	4.60 .18	5.30 .21
24	41.10 1.62	34.90 1.37	4.60 .18	10.00 .39	39.30 1.55	34.90 1.37	4.60 .18	5.30 .21
28	46.30 1.82	39.65 1.56	4.60 .18	10.00 .39	45.60 1.79	39.65 1.56	4.60 .18	5.30 .21

891/2 Series

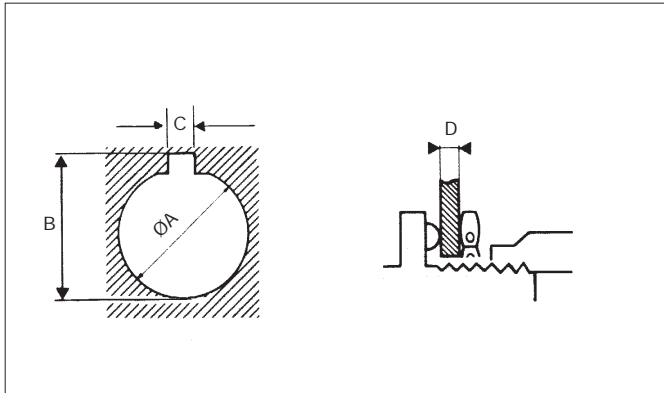


Jam nut receptacles - type 07



shell size	K	L	M	N	S	T	V
10SL	2.00 .08	32.00 1.26	22.30 .88	15.84 .62	26.00 1.02	20.00 .79	5/8"-24 UNE.F.2A
12S	2.00 .08	32.00 1.26	22.30 .88	19.02 .75	29.00 1.14	23.00 .91	†
14S	2.00 .08	32.00 1.26	22.30 .88	22.19 .87	32.50 1.28	26.97 1.06	3/4"-20 UNE.F.2A
16S	2.00 .08	32.00 1.26	22.30 .88	25.40 1.00	36.50 1.44	30.17 1.19	7/8"-24 UNE.F.2A
16	2.00 .08	36.50 1.44	26.60 1.05	25.40 1.00	36.50 1.44	30.17 1.19	7/8"-20 UNE.F.2A
18	2.20 .09	36.50 1.44	26.60 1.05	28.50 1.12	39.00 1.54	33.32 1.31	1"-20 UNE.F.2A
20	2.20 .09	36.50 1.44	26.60 1.05	31.70 1.25	44.00 1.73	36.52 1.44	1 1/16"-18 UNE.F.2A
22	2.20 .09	36.50 1.44	26.60 1.05	34.88 1.37	47.20 1.86	39.67 1.56	1 1/4"-18 UNE.F.2A
24	2.20 .09	36.50 1.44	26.60 1.05	38.05 1.50	50.50 1.99	42.87 1.69	1 7/16"-18 UNE.F.2A
28	2.20 .09	36.50 1.44	26.60 1.05	44.40 1.75	57.00 2.24	50.00 1.97	1 5/8"-18 UNE.F.2A

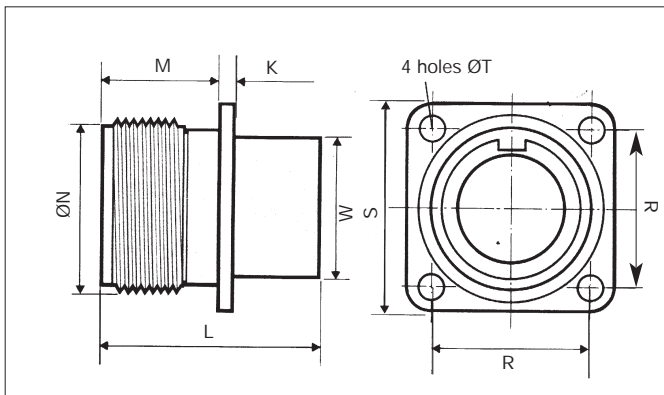
Panel cut-out



shell size	A	B	C	D Max	D min
10SL	17.00 .67	19.00 .75	1.80 .07	10.50 .41	1.50 .06
12S	20.20 .79	22.20 .87	1.80 .07	10.50 .41	1.50 .06
14S	23.40 .92	25.40 1.00	1.80 .07	10.50 .41	1.50 .06
16S	26.60 1.05	28.60 1.13	1.80 .07	10.50 .41	1.50 .06
16	26.60 1.05	28.60 1.13	1.80 .07	9.30 .37	1.50 .06
18	29.70 1.17	31.70 1.25	1.80 .07	9.30 .37	1.50 .06
20	32.90 1.29	34.90 1.37	1.80 .07	9.30 .37	1.50 .06
22	36.10 1.42	38.10 1.50	1.80 .07	9.30 .37	1.50 .06
24	39.30 1.55	40.30 1.59	1.80 .07	9.30 .37	1.50 .06
28	45.60 1.79	47.60 1.87	1.80 .07	9.30 .37	1.50 .06

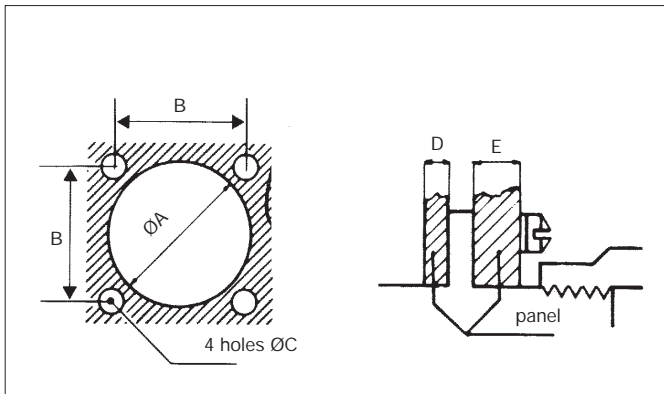
† : 5/8" - 24 UNE.F.2A for all types except Rolls-Royce ESC.004 connectors which have an 11/16" - 24 UNE.F.2A thread

Square flange receptacles - type 02



shell size	K	L	M	N	R	S	T	W
10SL	1.60 .06	32.00 1.26	14.90 .59	15.84 .62	18.25 .72	25.25 .99	3.80 .15	14.50 .57
12S	1.60 .06	32.00 1.26	14.90 .59	19.02 .75	20.60 .81	27.60 1.09	3.80 .15	14.50 .57
14S	1.60 .06	32.00 1.26	14.90 .59	22.19 .87	23.00 .91	30.00 1.18	3.80 .15	17.40 .69
16S	1.60 .06	32.00 1.26	14.90 .59	25.40 1.00	24.60 .97	32.62 1.28	3.80 .15	20.65 .81
16	1.60 .06	36.50 1.44	19.65 .77	25.40 1.00	24.60 .97	32.62 1.28	3.80 .15	20.65 .81
18	1.60 .06	36.50 1.44	19.65 .77	28.50 1.12	26.97 1.06	35.00 1.38	4.60 .18	23.70 .93
20	2.00 .08	36.50 1.44	19.65 .77	31.70 1.25	29.40 1.16	37.40 1.47	4.60 .18	28.15 1.11
22	2.00 .08	36.50 1.44	19.65 .77	34.88 1.37	31.75 1.25	40.80 1.61	4.60 .18	29.95 1.18
24	2.00 .08	36.50 1.44	20.65 .81	38.05 1.50	34.90 1.37	43.90 1.73	4.60 .18	33.25 1.31
28	2.00 .08	36.50 1.44	20.65 .81	44.40 1.75	39.65 1.56	50.65 1.99	4.60 .18	39.40 1.55

Panel cut-out

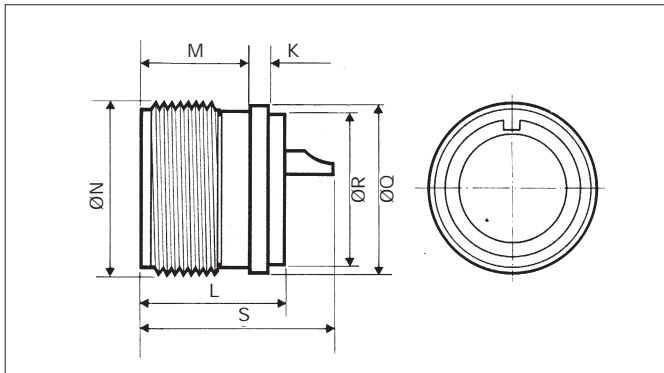


shell size	front of panel				rear of panel			
	A	B	C	D Max	A	B	C	E Max
10SL	20.50 .81	18.25 .72	3.80 .15	10.00 .39	17.00 .67	18.25 .72	3.80 .15	6.0 .24
12S	20.50 .81	20.60 .81	3.80 .15	10.00 .39	20.20 .79	20.60 .81	3.80 .15	6.0 .24
14S	23.50 .93	23.00 .91	3.80 .15	10.00 .39	23.40 .92	23.00 .91	3.80 .15	6.0 .24
16S	26.50 1.04	24.60 .97	3.80 .15	10.00 .39	26.60 1.05	24.60 .97	3.80 .15	6.0 .24
16	26.50 1.04	24.60 .97	3.80 .15	10.00 .39	26.60 1.05	24.60 .97	3.80 .15	5.30 .21
18	29.80 1.17	27.00 1.06	4.60 .18	10.00 .39	29.70 1.17	27.00 1.06	4.60 .18	5.30 .21
20	34.60 1.36	29.40 1.16	4.60 .18	10.00 .39	32.90 1.29	29.40 1.16	4.60 .18	5.30 .21
22	36.20 1.43	31.75 1.25	4.60 .18	10.00 .39	36.10 1.42	31.75 1.25	4.60 .18	5.30 .21
24	41.10 1.62	34.90 1.37	4.60 .18	10.00 .39	39.30 1.55	34.90 1.37	4.60 .18	5.30 .21
28	46.30 1.82	39.65 1.56	4.60 .18	10.00 .39	45.60 1.79	39.65 1.56	4.60 .18	5.30 .21

891/2 Series

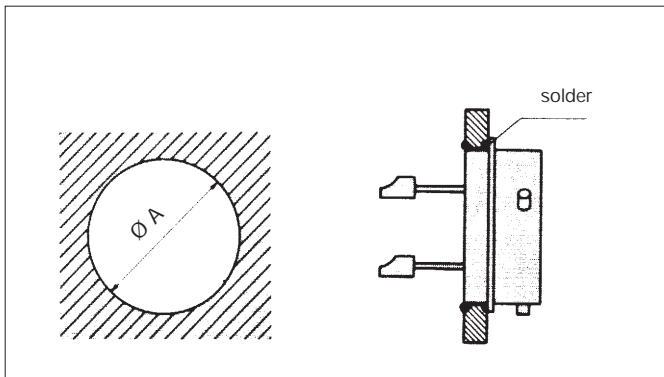


Hermetic solder fixing recep. type 01H



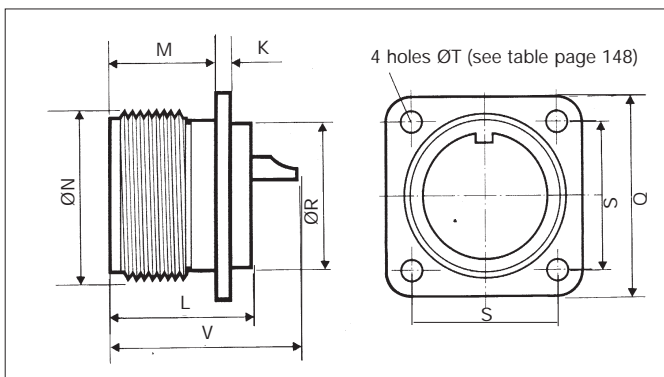
shell size	K	L	M	N	Q	R	S
10SL	1.60 .06	20.40 .80	16.55 .65	15.84 .62	15.84 .62	12.70 .50	29.20 1.15
12S	1.60 .06	20.40 .80	16.55 .65	19.02 .75	19.02 .75	16.70 .66	29.20 1.15
14S	1.60 .06	20.40 .80	16.55 .65	22.19 .87	22.19 .87	18.30 .72	29.20 1.15
16S	1.60 .06	20.40 .80	16.55 .65	25.40 1.00	25.40 1.0	21.40 .84	29.20 1.15
18	2.00 .08	25.15 .99	20.65 .81	28.50 1.12	28.50 1.12	24.70 0.97	33.70 1.32
20	2.00 .08	25.15 .99	21.05 .83	31.70 1.25	32.50 1.25	29.40 1.15	33.70 1.32
28	2.00 .08	25.15 .99	21.05 .83	44.40 1.74	44.40 1.74	41.30 1.62	33.70 1.32

Panel cut-out



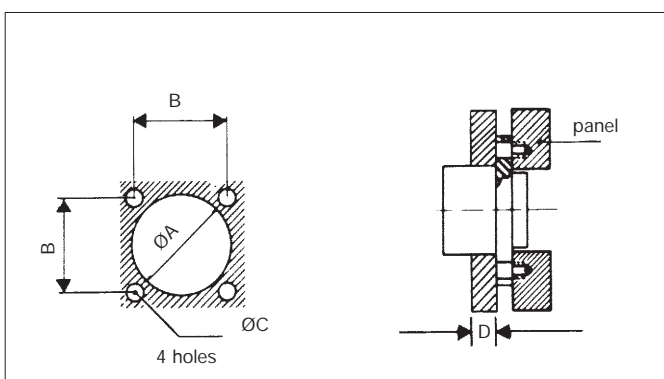
shell size	A
10SL	13.20 .52
12S	17.20 .68
14S	18.80 .74
16S	21.90 .86
18	25.20 .99
20	29.90 1.18
28	41.80 1.65

Hermetic square flange recep. type 02H



shell size	K	L	M	N	Q	R	S	V
10SL	1.60 .06	20.40 .80	16.55 .65	15.84 .62	25.25 .99	12.70 .50	18.25 .72	29.20 1.15
12S	1.60 .06	20.40 .80	16.55 .65	19.02 .75	27.60 1.08	16.70 .66	20.60 .81	29.20 1.15
14S	1.60 .06	20.40 .80	16.55 .65	22.19 .87	30.00 1.18	18.30 .72	23.00 .91	29.20 1.15
16S	1.60 .06	20.40 .80	16.55 .65	25.40 1.00	32.60 1.28	21.40 .84	24.60 .97	29.20 1.15
18	2.00 .08	25.15 .99	20.65 .81	28.50 1.12	35.00 1.38	24.70 .97	26.97 1.06	33.70 1.32
20	2.00 .08	25.15 .99	21.05 .83	31.70 1.25	37.40 1.47	29.40 1.15	29.40 1.16	33.70 1.35
28	2.00 .08	25.15 .99	21.05 .83	44.40 1.74	50.65 1.99	41.30 1.62	39.65 1.56	33.70 1.32

Panel cut-out

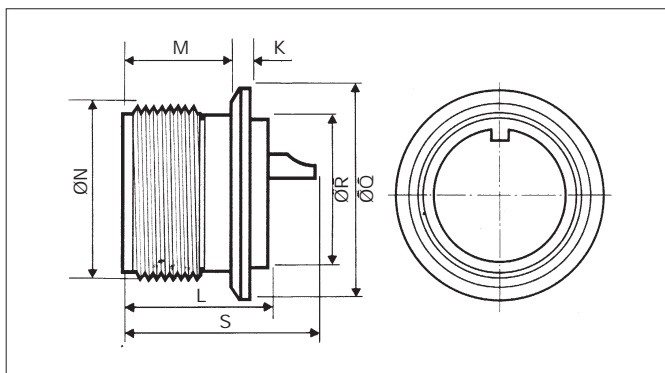


shell size	front of panel			rear of panel			
	A	B	C	A	B	C	D Max
10SL	13.20 .52	18.25 .72	3.80 .15	17.00 .67	18.25 .72	3.80 .15	6.00 .24
12S	17.20 .68	20.60 .81	3.80 .15	20.20 .79	20.60 .81	3.80 .15	6.00 .24
14S	18.80 .74	23.00 .91	3.80 .15	23.40 .92	23.00 .91	3.80 .15	6.00 .24
16S	21.90 .86	24.60 .97	3.80 .15	26.60 1.05	24.60 .97	3.80 .15	6.00 .24
18	25.20 .99	27.00 1.06	4.60 .18	29.70 1.17	27.00 1.06	4.60 .18	5.30 .21
20	29.90 1.18	29.40 1.16	4.60 .18	32.90 1.29	29.40 1.16	4.60 .18	5.30 .21
28	41.80 1.65	39.65 1.56	4.60 .18	45.60 1.79	39.65 1.56	4.60 .18	5.30 .21

891/2 Series

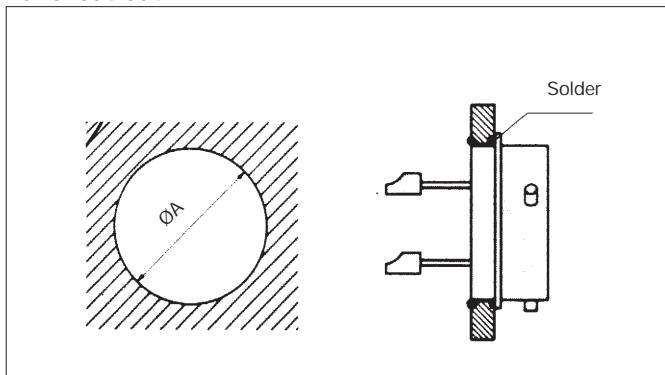


Hermetic solder fixing recep. type 05H



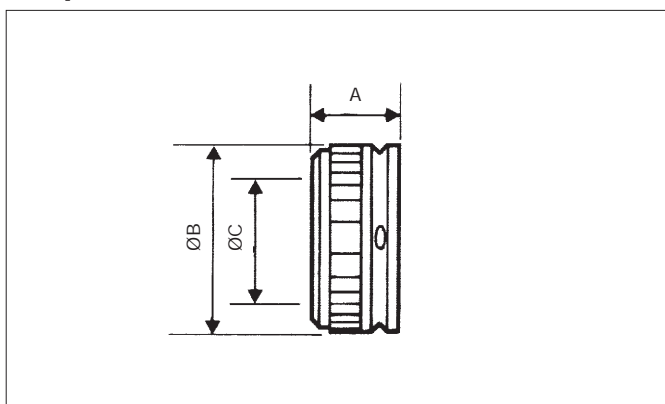
shell size	K	L	M	N	Q	R	S
10SL	1.60 .06	20.40 .80	16.55 .65	15.84 .62	22.00 .86	12.70 .50	29.20 1.15
12S	1.60 .06	20.40 .80	16.55 .65	19.02 .75	25.15 .99	16.70 .66	29.20 1.15
14S	1.60 .06	20.40 .80	16.55 .65	22.19 .87	28.35 1.11	18.30 .72	29.20 1.15
16S	1.60 .06	20.40 .80	16.55 .65	25.40 1.00	31.50 1.24	21.40 .84	29.20 1.15
18	2.00 .08	25.15 .99	20.65 .81	28.50 1.12	34.65 1.36	24.70 .97	33.70 1.32
20	2.00 .08	25.15 .99	21.05 .83	31.70 1.25	37.85 1.49	29.40 1.15	33.70 1.32
28	2.00 .08	25.15 .99	21.05 .83	44.40 1.74	50.55 1.99	41.30 1.62	33.70 1.32

Panel cut-out



shell size	A
10SL	13.20 .52
12S	17.20 .68
14S	18.20 .74
16S	21.90 .86
18	25.20 .99
20	29.90 1.18
28	41.80 1.65

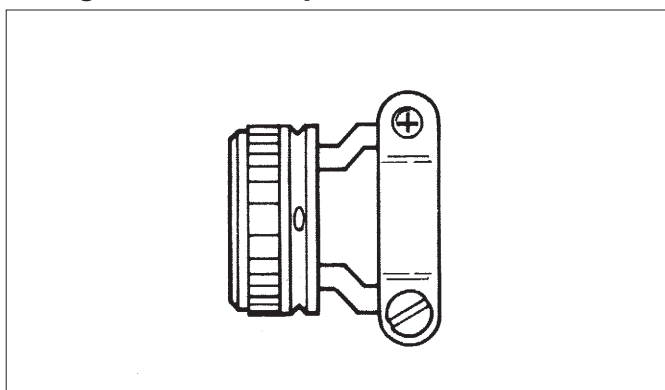
Simple backnuts



shell size	part number	A	B Max	C
10/12	8950-E-12 †	13.00 .52	19.20 .76	11.60 .46
14	8950-E-14	13.00 .52	22.20 .87	14.40 .57
16	8950-E-16	13.00 .52	25.20 .99	16.70 .66
18	8950-E-18	13.00 .52	28.50 1.12	19.80 .78
20	8950-E-20	13.00 .52	33.30 1.31	24.20 .95
22	8950-E-22	13.00 .52	34.90 1.37	26.60 1.05
24	8950-E-24	13.00 .52	39.80 1.57	29.55 1.16
28	8950-E-28	13.00 .52	45.00 1.77	35.60 1.40

† : when using with 892.04 (ESC) connectors, -04 should be added to the backshell number e.g. 8950-E-12-04 (size 12 only)

Straight cable clamps



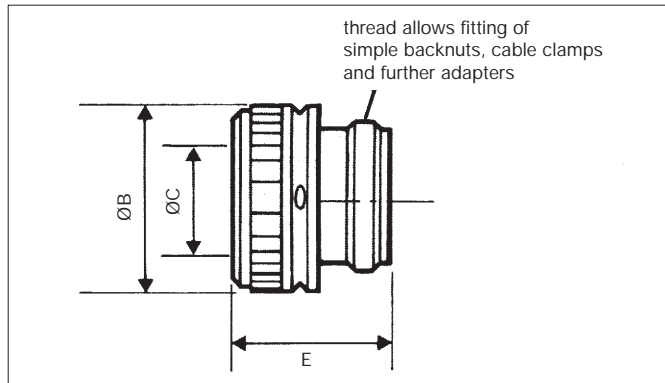
shell size	part number
10/12	8950-F-12 †
14	8950-F-14
16	8950-F-16
18	8950-F-18
20	8950-F-20
22	8950-F-22
24	8950-F-24
28	8950-F-28

† : when using with 892.04 (ESC) connectors, -04 should be added to the backshell number e.g. 8950-F-12-04 (size 12 only)

891/2 Series



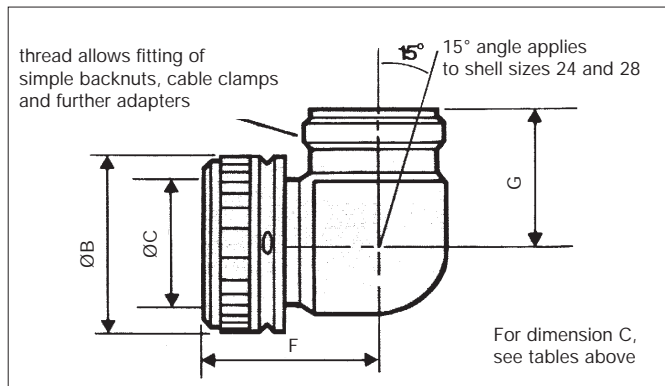
Straight adapters



shell size	part number	B Max	C	E Max
10/12	8950-A-12 †	19.90 .76	11.60 .46	23.25 .92
14	8950-A-14	22.20 .87	14.40 .57	23.25 .92
16	8950-A-16	25.20 .99	16.70 .66	23.25 .92
18	8950-A-18	28.50 1.12	19.80 .78	23.25 .92
20	8950-A-20	33.20 1.31	24.20 .95	23.25 .92
22	8950-A-22	34.90 1.37	26.60 1.05	23.25 .92
24	8950-A-24	39.80 1.57	29.55 1.16	23.25 .92
28	8950-A-28	45.00 1.77	35.60 1.40	26.45 1.04

† : when using with 892.04 (ESC) connectors, -04 should be added to the backshell number e.g. 8950-E-12-04 (size 12 only)

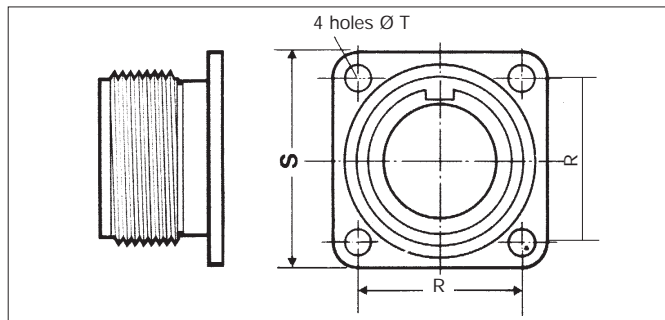
Elbow adapters



shell size	part number	B Max	F Max	G Max
10/12	8950-14-12 †	19.90 .76	24.80 .98	17.50 .69
14	8950-14-14	22.20 .87	24.80 .98	18.50 .73
16	8950-14-16	25.20 .99	26.80 1.05	21.00 .83
18	8950-14-18	28.50 1.12	29.90 1.14	22.50 .89
20	8950-14-20	33.20 1.31	29.40 1.18	26.00 1.02
22	8950-14-22	34.90 1.37	32.40 1.28	26.00 1.02
24	8950-14-24	39.80 1.57	24.10 1.74	39.60 1.56
28	8950-14-28	45.00 1.77	35.10 1.30	39.60 1.56

† : when using with 892.04 (ESC) connectors, -04 should be added to the backshell number e.g. 8950-E-12-04 (size 12 only)

Parking receptacles



shell size	part number	shell size	part number
10SL	8950-40	18	8950-45
12S	8950-41	20	8950-46
14S	8950-42	22	8950-47
16S	8950-44	24	8950-48
16	8950-43	28	8950-49

Common dimensions with square flange receptacle (page 152)

Metal protective caps

temperature class	10SL	12S	14S	16S	16	18	20	22	24	28
1	8950-60	8950-61	8950-62	8950-63	8950-64	8950-65	8950-66	8950-67	8950-68	8950-69
2	8950-60	8950-61	8950-62	8950-63	8950-64	8950-65	8950-66	8950-67	8950-68	8950-69

Nuts for jam nut receptacles

temperature class	10SL	12S	14S	16S	16	18	20	22	24	28
1	8950-339	8950-340	8522-843	8522-844	8522-844	8522-845	8522-846	8522-847	8522-848	8522-341
2	8950-339	8950-340	8522-843	8522-844	8522-844	8522-845	8522-846	8522-847	8522-848	8550-341

Gaskets for jam nut receptacles

temperature class	10SL	12S	14S	16S	16	18	20	22	24	28
1	8950-4731	8950-4732	8950-4733	8950-4734	8950-4734	8950-4735	8950-4736	8950-4737	8950-4738	8950-4739
2	8950-4731	8950-4732	8950-4733	8950-4734	8950-4734	8950-4735	8950-4736	8950-4737	8950-4738	8950-4739

Gaskets for square flange receptacles

temperature class	10SL	12S	14S	16S	16	18	20	22	24	28
1	8950-241	8950-242	8950-243	8950-244	8950-244	8950-245	8950-246	8950-333	8950-247	8950-248
2	8950-241	8950-242	8950-243	8950-244	8950-244	8950-245	8950-246	8950-333	8950-247	8950-248