

# SOURIAU 8T Series

## Applications

Compact profile and high density connectors for all military and aeronautical purposes.

## Standards

Mil C 38999 series II - QPL approved  
NFC 93422 HE 309  
VG 96912 series II  
PAN 6433-1  
BS 9522 N 003



## Description

- High density connectors from 1 to 128 contacts.
- Sizes 22D, 20, 16, 12.
- A compact profile
- Bayonet locking system
- An excellent shock vibration and fluid resistance

## Characteristics

### Mechanical

- Shell : aluminium alloy
- Plating :
  - olive green cadmium (G and B)
  - nickel (F) - hard anodized (C)
- Insulator : thermoplastic
- Grommet and seal : silicone elastomer
- Contact : copper alloy
- Plating : gold over nickel
- Endurance : 500 mating/unmating operations
- Shock : 300 g during 3 ms
- Vibration : random 100 to 1000 Hz - 1 g<sup>2</sup>/Hz
- Contact retention (mini force in N) :
  - size 22 D: 44 N    size 20 : 67 N
  - size 16: 110 N    size 12 : 110 N

### Electrical

- Test voltage (Vrms)

Service	sea level	at 21000 m
M	1300	800
I	1800	1000
II	2300	1000

- Contact resistance :
  - size 22 D : 14,6 mΩ    size 16 : 3,8 mΩ
  - size 20 : 7,3 mΩ
- Insulation resistance : ≥ 5000 MΩ (at 500 Vdc)
- Contact rating :
  - size 22 D : 5 A    size 16 : 13 A
  - size 20 : 7,5 A    size 12 : 23 A
- Shell continuity :
  - olive green plating : 2,5 mΩ
  - nickel plating : 1 mΩ

### Climatic

- Temperature range :
  - cadmium plating (G)    -65°C +175°C
  - (B)    -65°C +175°C
  - nickel plating (F)    -65°C +200°C
  - hard anodized (C)    -65°C +200°C
- Sealing : mated connectors differential pressure 1 bar; leakage ≤ 8 cm<sup>3</sup>/hr
- Salt spray to : MIL. STD 1344 method 1001
  - 500 hours (plating B)
  - 48 hours (plating F-C)
  - NFC 93422
  - 48 hours (plating G-F-C)
- Damp heat : MIL.-C 38999 : 10 cycles (24 hours)  
NFC 93422 : 56 days

### Resistance to fluids

to MIL. L 38999 : MIL. L 7808 - MIL. L 23699  
- MIL. H 5606 - MIL. A 8243 - MIL. L 25769 - MIL. G 3056 - MIL. T 5624 (JP5) - hydraulic fluids - solvents  
to NFC 93422 : F 46, F 54, 0/180, H 515, H 542, XH 45.

## Ordering information SOURIAU - Part numbers

<b>basic series</b>			<b>8 T</b>	<b>3</b>	<b>-</b>	<b>14</b>	<b>G</b>	<b>35</b>	<b>P</b>	<b>N</b>
<b>shell type</b>	2	- square flange receptacle not accepting backshells								
	3	- square flange receptacle (rear mounting)								
	7	- jam nut receptacle								
	1	- cable connecting receptacle								
	6	- plug								
<b>designator</b>	- connectors with standard crimp contacts									
	L	- receptacle with long spill (male and female # 22D)								
	C	- receptacle with short spill (male # 22D - # 20 - # 16)								
<b>shell size</b>	<b>08-10-12-14-16-18-20-22-24</b>									
<b>plating</b>	G	- olive green cadmium (HE309)								
	F	- nickel								
	B	- olive green cadmium (MIL. C 38999)								
	C	- hard anodized								
<b>contact layout</b>	- see table p 12									
<b>contact type</b>	P	- male	A - male connector without contact or with special contacts							
	S	- female	B - female connector without contact or with special contacts							
<b>polarization</b>	<b>N-A-B-C-D</b> - see table p 4									

Note : connectors supplied with standard contacts

# SOURIAU 8T Series

## MIL. C 38999 serie II

<b>basic series</b>	<b>MS</b>	<b>27497</b>	<b>T</b>	<b>14</b>	<b>B</b>	<b>35</b>	<b>P</b>	<b>•</b>
<b>shell type</b>	<b>27508</b> - square flange receptacle without thread for back fitting <b>27497</b> - square flange receptacle (rear mounting) <b>27474</b> - jam nut receptacle <b>27473</b> - plug							
<b>class</b>	<b>T</b> - with thread for backshell, supplied without backshell <b>E</b> - without thread for backshell only for MS 27508							
<b>shell size</b>	<b>08-10-12-14-16-18-20-22-24</b>							
<b>plating</b>	<b>B</b> - olive green cadmium		<b>F</b> - nickel		<b>C</b> - hard anodized			
<b>contact layout</b>	- see table p 12							
<b>contact type</b>	<b>P</b> - male		<b>A</b> - male connector supplied without contact or with special contacts					
	<b>S</b> - female		<b>B</b> - female connector supplied without contact or with special contacts					
<b>polarization</b>	<b>N</b> - Normal (not included in part number) <b>A-B-C-D</b> - see table p 4							

## backshells

<b>basic series</b>										<b>8LST</b>	<b>104</b>	<b>G</b>	<b>01</b>		
<b>shell size</b>	08	10	12	14	16	18	20	22	24						
<b>index number</b>	101	102	103	104	105	106	107	108	109						
<b>plating</b>	<b>B</b> - olive green cadmium (MIL. C 38999) <b>F</b> - nickel														
<b>backshell type</b>	<b>01</b> - backnut													<b>03</b> - elbow cable clamp	
	<b>02</b> - straight cable clamp														

## Cross reference list - part numbers cross reference list Souriau and MIL. C 38999 NFC 93422 - PAN 6433-1

	SOURIAU	MIL. C 38999 SERIES II	NFC 93422 / HE 309	PAN 6433-1
Square flange receptacle without thread for back fitting	8T2 - •• G •• P □		HE 309-05T •• - •• P □ 7	PAN 6433-1E •• - •• P □
	8T2 - •• G •• A □		HE 309-05T •• - •• P □ 7L	
	8T2 - •• G •• S □		HE 309-05T •• - •• S □ 7	PAN 6433-1E •• - •• S □
	8T2 - •• G •• B □		HE 309-05T •• - •• S □ 7L	
	8T2 - •• B •• P □	MS27508E •• B •• P □		
	8T2 - •• B •• A □	MS27508E •• B •• A □		
	8T2 - •• B •• S □	MS27508E •• B •• S □		
	8T2 - •• B •• B □	MS27508E •• B •• B □		
	8T2 - •• F •• P □	MS27508E •• F •• P □	HE 309-05T •• - •• P □ 6	
	8T2 - •• F •• A □	MS27508E •• F •• A □	HE 309-05T •• - •• P □ 6L	
	8T2 - •• F •• S □	MS27508E •• F •• S □	HE 309-05T •• - •• S □ 6	
	8T2 - •• F •• B □	MS27508E •• F •• B □	HE 309-05T •• - •• S □ 6L	
	8T2 - •• C •• P □	MS27508E •• C •• P □	HE 309-05T •• - •• P □ 8	
	8T2 - •• C •• A □	MS27508E •• C •• A □	HE 309-05T •• - •• P □ 8L	
	8T2 - •• C •• S □	MS27508E •• C •• S □	HE 309-05T •• - •• S □ 8	
	8T2 - •• C •• B □	MS27508E •• C •• B □	HE 309-05T •• - •• S □ 8L	
Square flange receptacle with thread for back fitting	8T3 - •• G •• P □		HE 309-03T •• - •• P □ 7	PAN 6433-1B •• - •• P □
	8T3 - •• G •• A □		HE 309-03T •• - •• P □ 7L	
	8T3 - •• G •• S □		HE 309-03T •• - •• S □ 7	PAN 6433-1B •• - •• S □
	8T3 - •• G •• B □		HE 309-03T •• - •• S □ 7L	
	8T3 - •• B •• P □	MS27497T •• B •• P □		
	8T3 - •• B •• A □	MS27497T •• B •• A □		
	8T3 - •• B •• S □	MS27497T •• B •• S □		
	8T3 - •• B •• B □	MS27497T •• B •• B □		
	8T3 - •• F •• P □	MS27497T •• F •• P □	HE 309-03T •• - •• P □ 6	
	8T3 - •• F •• A □	MS27497T •• F •• A □	HE 309-03T •• - •• P □ 6L	
	8T3 - •• F •• S □	MS27497T •• F •• S □	HE 309-03T •• - •• S □ 6	
	8T3 - •• F •• B □	MS27497T •• F •• B □	HE 309-03T •• - •• S □ 6L	
	8T3 - •• C •• P □	MS27497T •• C •• P □	HE 309-03T •• - •• P □ 8	
	8T3 - •• C •• A □	MS27497T •• C •• A □	HE 309-03T •• - •• P □ 8L	
	8T3 - •• C •• S □	MS27497T •• C •• S □	HE 309-03T •• - •• S □ 8	
	8T3 - •• C •• B □	MS27497T •• C •• B □	HE 309-03T •• - •• S □ 8L	

# SOURIAU 8T Series

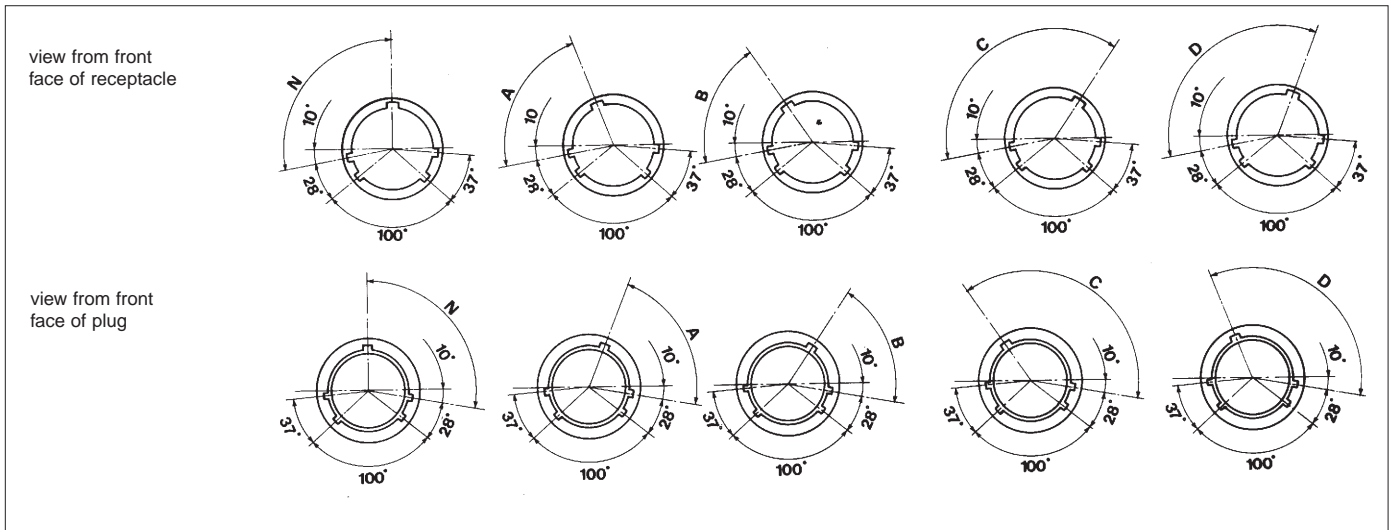
## Cross reference list - Souriau part numbers and MIL. C 38999, NFC 93422 - PAN 6433-1 standard

	SOURIAU	MIL. C 38999 SERIES II	NFC 93422 / HE 309	PAN 6433-1
Jam nut receptacle	8T7 - ** G ** P □ 8T7 - ** G ** A □ 8T7 - ** G ** S □ 8T7 - ** G ** B □ 8T7 - ** B ** P □ 8T7 - ** B ** A □ 8T7 - ** B ** S □ 8T7 - ** B ** B □ 8T7 - ** F ** P □ 8T7 - ** F ** A □ 8T7 - ** F ** S □ 8T7 - ** F ** B □ 8T7 - ** C ** P □ 8T7 - ** C ** A □ 8T7 - ** C ** S □ 8T7 - ** C ** B □	MS27474T ** B ** P □ MS27474T ** B ** A □ MS27474T ** B ** S □ MS27474T ** B ** B □ MS27474T ** F ** P □ MS27474T ** F ** A □ MS27474T ** F ** S □ MS27474T ** F ** B □ MS27474T ** C ** P □ MS27474T ** C ** A □ MS27474T ** C ** S □ MS27474T ** C ** B □	HE 309-07T ** - ** P □ 7 HE 309-07T ** - ** P □ 7L HE 309-07T ** - ** S □ 7 HE 309-07T ** - ** S □ 7L HE 309-07T ** - ** P □ 6 HE 309-07T ** - ** P □ 6L HE 309-07T ** - ** S □ 6 HE 309-07T ** - ** S □ 6L HE 309-07T ** - ** P □ 8 HE 309-07T ** - ** P □ 8L HE 309-07T ** - ** S □ 8 HE 309-07T ** - ** S □ 8L	PAN 6433-1A ** - ** P □ PAN 6433-1A ** - ** S □
Cable connecting receptacle	8T1 - ** G ** P □ 8T1 - ** G ** A □ 8T1 - ** G ** S □ 8T1 - ** G ** B □ 8T1 - ** B ** P □ 8T1 - ** B ** A □ 8T1 - ** B ** S □ 8T1 - ** B ** B □ 8T1 - ** F ** P □ 8T1 - ** F ** A □ 8T1 - ** F ** S □ 8T1 - ** F ** B □ 8T1 - ** C ** P □ 8T1 - ** C ** A □ 8T1 - ** C ** S □ 8T1 - ** C ** B □			
Plug without RFI shielding	8T6 - ** G ** P □ 8T6 - ** G ** A □ 8T6 - ** G ** S □ 8T6 - ** G ** B □ 8T6 - ** B ** P □ 8T6 - ** B ** A □ 8T6 - ** B ** S □ 8T6 - ** B ** B □ 8T6 - ** F ** P □ 8T6 - ** F ** A □ 8T6 - ** F ** S □ 8T6 - ** F ** B □ 8T6 - ** C ** P □ 8T6 - ** C ** A □ 8T6 - ** C ** S □ 8T6 - ** C ** B □	MS27473T ** B ** P □ MS27473T ** B ** A □ MS27473T ** B ** S □ MS27473T ** B ** B □ MS27473T ** F ** P □ MS27473T ** F ** A □ MS27473T ** F ** S □ MS27473T ** F ** B □ MS27473T ** C ** P □ MS27473T ** C ** A □ MS27473T ** C ** S □ MS27473T ** C ** B □	HE 309-06T ** - ** P □ 7 HE 309-06T ** - ** P □ 7L HE 309-06T ** - ** S □ 7 HE 309-06T ** - ** S □ 7L HE 309-06T ** - ** P □ 6 HE 309-06T ** - ** P □ 6L HE 309-06T ** - ** S □ 6 HE 309-06T ** - ** S □ 6L HE 309-06T ** - ** P □ 8 HE 309-06T ** - ** P □ 8L HE 309-06T ** - ** S □ 8 HE 309-06T ** - ** S □ 8L	PAN 6433-1F ** - ** P □ PAN 6433-1F ** - ** S □
Contacts - filler plugs - tools	8599-0902 8599-0903 8599-0904 8599-0905 8599-0910 8599-0911 8599-0912 8599-0913 8660-212 8522-389A 8522-390A 8599-0022 8522-20 8522-16	M39029/58-360 M39029/58-363 M39029/58-364 M39029/58-365 M39029/57-354 M39029/57-357 M39029/57-358 M39029/57-359 M27488-22 M27488-20 M27488-16 M81969/14-01 M81969/14-02 M81969/14-03		PAN 6433-1P PAN 6433-1S PAN 6433-1N
Backshells	8LST *** G01 8LST *** B01 8LST *** F01	M85049/27 ** W M85049/27 ** N	HE 309-17 ** 7 HE 309-17 ** 6	

# SOURIAU 8T Series

## Polarization

Polarization is determined by the master keyway position. The secondary keyway positions remain fixed.

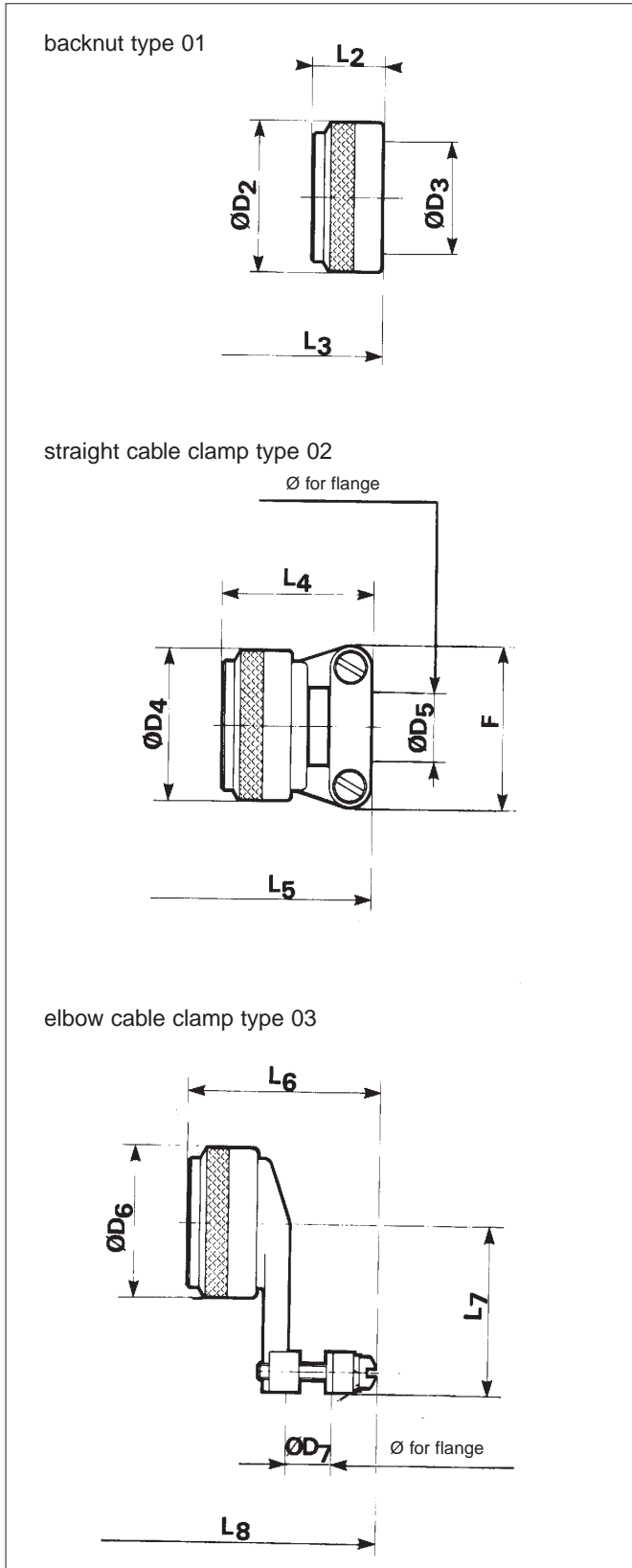


shell size	contacts layout	service			number of contacts				angle in degrees				
		M	I	II	# 22D Ø 0,76	# 20 Ø 1	# 16 Ø 1,6	# 12 Ø 2,4	N	A	B	C	D
08	35	X			6				100	82	-	-	118
10	35	X			13				100	86	72	128	114
12	35	X							100	80	68	132	120
14	35	X			37				100	79	66	134	121
	18		X			18			100	79	66	134	121
16	35	X		X	55		8		100	82	70	130	118
	08		X					6	100	82	70	130	118
	06								100	82	70	130	118
18	35	X			66				100	82	70	130	118
20	35	X			79				100	82	70	130	118
	41		X			41			100	82	70	130	118
	16			X			16		100	82	70	130	118
	11			X				11	100	82	70	130	118
22	35	X			100				100	85	74	126	115
24	35	X			128				100	85	74	126	115
	61		X			61			100	85	74	126	115
	29		X				29		100	85	74	126	115
	24		X				12	12	100	85	74	126	115

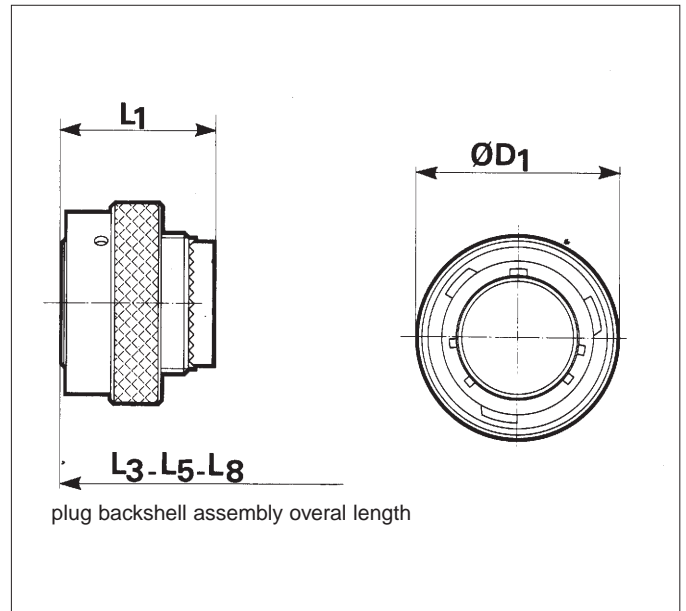
# SOURIAU 8T Series

## Dimensions

### backshells



### plug type 6

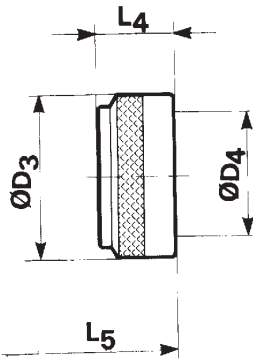


shell size	08	10	12	14	16	18	20	22	24	
D 1	Max .750	19.05 .859	21.82 1.031	26.19 1.156	29.36 1.281	32.54 1.406	35.71 1.531	38.89 1.641	41.68 1.766	44.86 1.922
L1	Max .916	23.27 .916	23.27 .916	23.27 .916	23.27 .916	23.27 .916	23.27 .916	23.27 .916	23.27 .916	25.00 1.063
D2	Max .617	15.67 .734	18.64 .858	21.79 .984	24.99 1.112	28.24 1.218	30.94 1.345	34.16 1.468	37.29 1.593	40.46 1.766
D3	Max .274	6.96 .412	10.46 .526	13.36 .651	16.53 .776	19.71 .882	22.40 1.006	25.56 1.132	28.75 1.257	31.93 1.422
L2	Max .445	11.30 .445	11.30 .445	11.30 .445	11.30 .445	11.30 .445	11.30 .445	11.30 .445	11.30 .445	11.30 .445
L3	Max .991	25.16 .991	25.16 .991	25.16 .991	25.16 .991	25.16 .991	25.16 .991	25.16 .991	25.16 .991	27.14 1.069
D4	Max .617	15.67 .734	18.64 .858	21.79 .984	24.99 1.112	28.24 1.218	30.94 1.345	34.16 1.468	37.29 1.593	40.46 1.766
D5	min .055	1.40 .055	1.40 .055	2.40 .094	5.60 .220	5.60 .220	8.80 .346	11.90 .469	15.10 .594	15.10 .594
	Max .126	3.20 .189	4.80 .252	6.40 .374	9.50 .500	12.70 .500	15.90 .626	19.10 .752	22.20 .874	25.40 1.000
F	Max .828	21.03 .828	22.63 .891	25.81 1.016	28.98 1.141	30.56 1.203	37.31 1.469	37.31 1.469	42.06 1.656	44.45 1.750
L4	Max .875	22.22 .875	22.22 .875	22.22 .875	28.57 1.125	28.57 1.125	28.57 1.125	28.57 1.125	31.75 1.250	31.75 1.250
L5	Max 1.624	41.26 1.624	41.26 1.624	41.26 1.624	47.16 1.857	47.16 1.857	47.16 1.857	47.16 1.857	50.76 1.998	50.76 1.998
D6	Max .617	15.67 .734	18.64 .858	21.79 .984	24.99 1.112	28.24 1.218	30.94 1.345	34.16 1.468	37.29 1.593	40.46 1.766
D7	min .126	3.20 .126	4.00 .157	4.80 .189	5.50 .217	6.40 .252	7.90 .311	9.50 .374	10.30 .406	14.30 .563
	Max .252	6.40 .252	9.50 .374	11.10 .437	14.30 .563	15.90 .626	19.10 .752	22.20 .874	23.80 .937	25.40 1.000
L6	Max 1.391	35.32 1.391	35.32 1.391	37.30 1.469	41.67 1.641	46.04 1.813	46.45 1.829	48.43 1.907	51.98 2.046	54.78 2.157
L7	Max 1.000	25.40 1.000	26.19 1.031	27.79 1.094	30.96 1.219	32.54 1.281	34.14 1.344	34.93 1.375	34.53 1.359	43.66 1.719
L8	Max 1.922	48.82 1.922	48.82 1.922	50.80 2.000	55.17 2.172	59.54 2.344	59.95 2.360	61.93 2.438	65.48 2.578	70.26 2.766

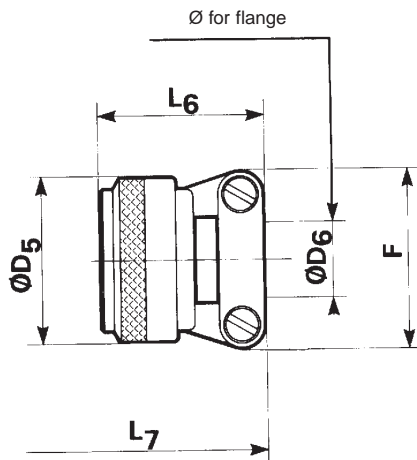
# SOURIAU 8T Series

## backshells

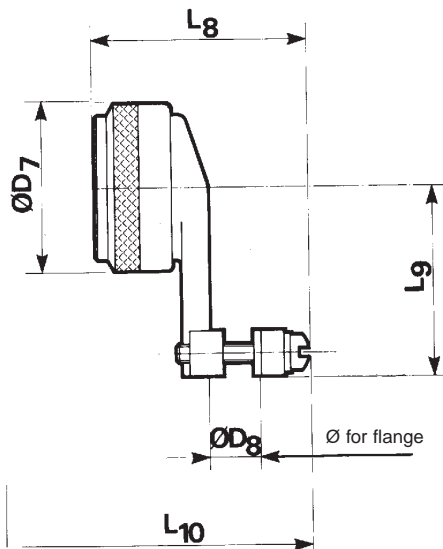
backnut type 01



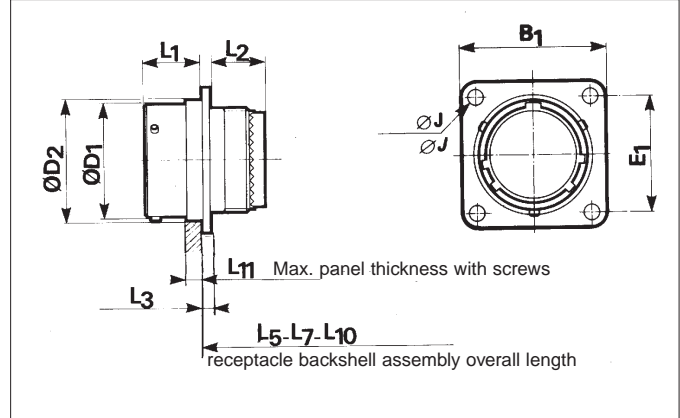
straight cable clamp type 02



elbow cable clamp type 03



## receptacle type 3

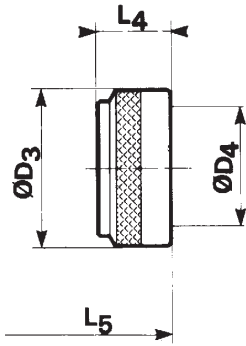


shell size		08	10	12	14	16	18	20	22	24
B1	Max	21.03 .828	24.23 .954	26.59 1.047	28.98 1.141	31.34 1.234	33.73 1.328	36.91 1.453	40.08 1.578	43.26 1.703
E1		15.09 .594	18.26 .719	20.62 .812	23.01 .906	24.61 .969	26.97 1.062	29.36 1.156	31.75 1.250	34.93 1.375
D1	Max	12.04 .474	15.02 .591	19.08 .751	22.25 .876	25.43 1.001	28.61 1.126	31.78 1.251	34.95 1.376	38.13 1.501
D2	Max	13.89 .547	17.07 .672	21.44 .844	24.61 .969	27.79 1.094	30.96 1.219	34.14 1.344	37.31 1.469	40.49 1.594
L1	Max	11.35 .447	11.35 .447	11.35 .447	11.35 .447	11.35 .447	11.35 .447	11.35 .447	11.35 .447	11.35 .447
L2	Max	12.27 .483	12.27 .483	12.27 .483	12.27 .483	12.27 .483	12.27 .483	12.27 .483	12.27 .483	14.00 .551
L3	Max	1.75 .069	1.75 .069	1.75 .069	1.75 .069	1.75 .069	1.75 .069	1.75 .069	1.75 .069	1.75 .069
J	Max	3.30 .130	3.30 .130	3.30 .130	3.30 .130	3.30 .130	3.30 .130	3.30 .130	3.30 .130	3.99 .157
D3	Max	15.67 .617	18.64 .734	21.79 .858	24.99 .984	28.24 1.112	30.94 1.218	34.16 1.345	37.29 1.468	40.46 1.593
D4	Max	6.96 .274	10.46 .412	13.36 .526	16.53 .651	19.71 .776	22.40 .882	25.56 1.006	28.75 1.132	31.93 1.257
L4	Max	11.30 .445	11.30 .445	11.30 .445	11.30 .445	11.30 .445	11.30 .445	11.30 .445	11.30 .445	11.30 .445
L5	Max	15.63 .615	15.63 .615	15.63 .615	15.63 .615	15.63 .615	15.63 .615	15.63 .615	15.63 .615	17.61 .693
D5	Max	15.67 .617	18.64 .734	21.79 .858	24.99 .984	28.24 1.112	30.94 1.218	34.16 1.345	37.29 1.468	40.46 1.593
	min	1.40 .055	1.40 .055	2.40 .094	5.60 .220	5.60 .220	8.80 .346	11.90 .469	15.10 .594	15.10 .594
D6	Max	3.20 .126	4.80 .189	6.40 .252	9.50 .374	12.70 .500	15.90 .626	19.10 .752	22.20 .874	25.40 1.000
F	Max	21.03 .828	22.63 .891	25.81 1.016	28.98 1.141	30.56 1.203	37.31 1.469	37.31 1.469	42.06 1.656	44.45 1.750
L6	Max	22.22 .875	22.22 .875	22.22 .875	28.57 1.125	28.57 1.125	28.57 1.125	28.57 1.125	31.75 1.250	31.75 1.250
L7	Max	31.73 1.249	31.73 1.249	31.73 1.249	37.68 1.483	37.68 1.483	37.68 1.483	37.68 1.483	41.23 1.623	41.21 1.622
D7	Max	15.67 .617	18.64 .734	21.79 .858	24.99 .984	28.24 1.112	30.94 1.218	34.16 1.345	37.29 1.468	40.46 1.593
D8	min	3.20 .126	4.00 .157	4.80 .189	5.50 .217	6.40 .252	7.90 .311	9.50 .374	10.30 .406	14.30 .563
	Max	6.40 .252	9.50 .374	11.10 .437	14.30 .563	15.90 .626	19.10 .752	22.20 .874	23.80 .937	25.40 1.000
L8	Max	35.32 1.391	35.32 1.391	37.30 1.469	41.67 1.641	46.04 1.813	46.45 1.829	48.43 1.907	51.98 2.046	54.78 2.157
L9	Max	25.40 1.000	26.19 1.031	27.79 1.094	30.96 1.219	32.54 1.281	34.14 1.344	34.93 1.375	36.53 1.438	43.66 1.719
L10	Max	39.29 1.547	39.29 1.547	42.27 1.664	45.64 1.797	50.01 1.969	50.42 1.985	52.40 2.063	55.95 2.203	60.73 2.391
L11	Max	3.71 .146	3.71 .146	3.71 .146	3.71 .146	3.71 .146	3.71 .146	4.27 .168	4.27 .168	4.27 .168

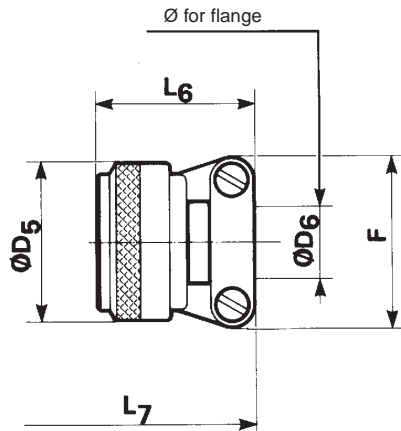
# SOURIAU 8T Series

## backshells

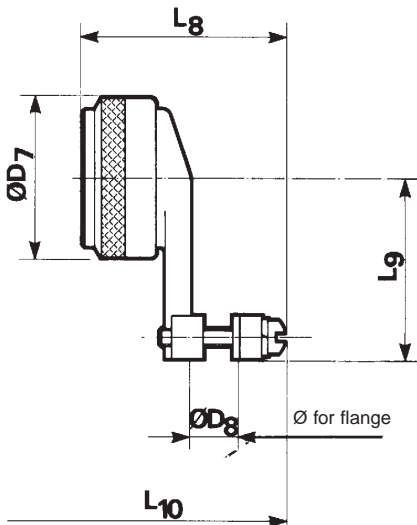
backnut type 01



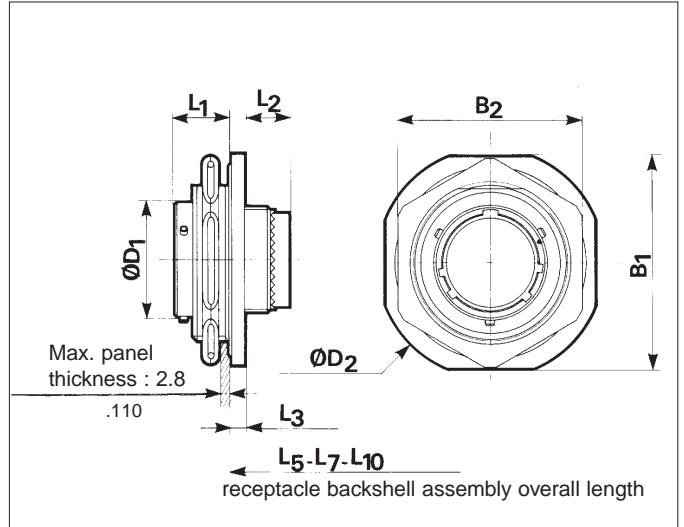
straight cable clamp type 02



elbow cable clamp type 03



## receptacle type 7

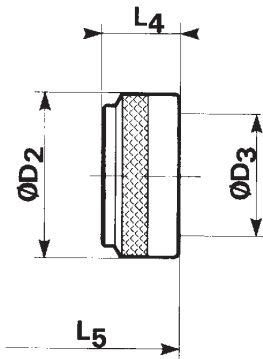


shell size		08	10	12	14	16	18	20	22	24
B1	Max	32.16 .1266	35.34 .1391	38.51 .1516	41.69 .1641	45.65 .1797	48.42 .1906	51.62 .2032	54.77 .2156	57.94 .2281
B2	Max	27.40 .1079	30.61 .1205	33.75 .1329	36.96 .1455	40.10 .1579	43.31 .1705	46.45 .1829	51.23 .2017	54.41 .2142
D1	Max	12.04 .474	15.02 .591	19.08 .751	22.25 .876	25.43 .1001	28.61 .1126	31.78 .1251	34.95 .1376	38.13 .1501
D2	Max	35.34 .1391	38.51 .1516	41.69 .1641	44.86 .1766	49.64 .1954	51.62 .2032	54.79 .2157	57.94 .2281	61.12 .2406
L1	Max	11.26 .443	11.26 .443	11.26 .443	11.26 .443	11.26 .443	11.26 .443	11.92 .469	11.92 .469	11.92 .469
L2	Max	12.55 .494	12.55 .494	12.55 .494	12.55 .494	12.55 .494	12.55 .494	11.73 .462	11.73 .462	13.08 .515
L3	Max	2.67 .105	2.67 .105	2.67 .105	2.67 .105	2.67 .105	2.67 .105	2.67 .105	2.67 .105	2.67 .105
D3	Max	15.67 .617	18.64 .734	21.79 .858	24.99 .984	28.24 .1112	30.94 .1218	34.16 .1345	37.29 .1468	40.46 .1593
D4	Max	6.96 .274	10.46 .412	13.36 .526	16.53 .651	19.71 .776	22.40 .882	25.56 .1006	28.75 .1132	31.93 .1257
L4	Max	11.30 .445	11.30 .445	11.30 .445	11.30 .445	11.30 .445	11.30 .445	11.30 .445	11.30 .445	11.30 .445
L5	Max	14.44 .569	14.44 .569	14.44 .569	14.44 .569	14.44 .569	14.44 .569	13.62 .536	13.62 .536	15.22 .599
D5	Max	15.67 .617	18.64 .734	21.79 .858	24.99 .984	28.24 .1112	30.94 .1218	34.16 .1345	37.29 .1468	40.46 .1593
D6	min	1.40 .055	1.40 .055	2.40 .094	5.60 .220	5.60 .220	8.80 .346	11.90 .469	15.10 .594	15.10 .594
D6	Max	3.20 .126	4.80 .189	6.40 .252	9.50 .374	12.70 .500	15.90 .626	19.10 .752	22.20 .874	25.40 .1000
F	Max	21.03 .828	22.63 .891	25.81 .1016	28.98 .1141	30.56 .1203	37.31 .1469	37.31 .1469	42.06 .1656	44.45 .1750
L6	Max	22.22 .875	22.22 .875	22.22 .875	28.57 .1125	28.57 .1125	28.57 .1125	28.57 .1125	31.75 .1250	31.75 .1250
L7	Max	30.54 .1202	30.54 .1202	30.54 .1202	36.44 .1435	36.44 .1435	36.44 .1435	35.62 .1402	39.22 .1544	38.82 .1528
D7	Max	15.67 .617	18.64 .734	21.79 .858	24.99 .984	28.24 .1112	30.94 .1218	34.16 .1345	37.29 .1468	40.46 .1593
D8	min	3.20 .126	4.00 .157	4.80 .189	5.50 .217	6.40 .252	7.90 .311	9.50 .374	10.30 .406	14.30 .563
D8	Max	6.40 .252	9.50 .374	11.10 .437	14.30 .563	15.90 .626	19.10 .752	22.20 .874	23.80 .937	25.40 .1000
L8	Max	35.32 .1391	35.32 .1391	37.30 .1469	41.67 .1641	46.04 .1813	46.45 .1829	48.43 .1907	51.98 .2046	54.78 .2157
L9	Max	25.40 .1000	26.19 .1031	27.79 .1094	30.96 .1219	32.54 .1281	34.14 .1344	34.93 .1375	36.53 .1438	43.66 .1719
L10	Max	38.10 .1500	38.10 .1500	40.08 .1578	44.45 .1750	48.82 .1922	49.23 .1938	50.39 .1984	53.94 .2124	58.34 .2297

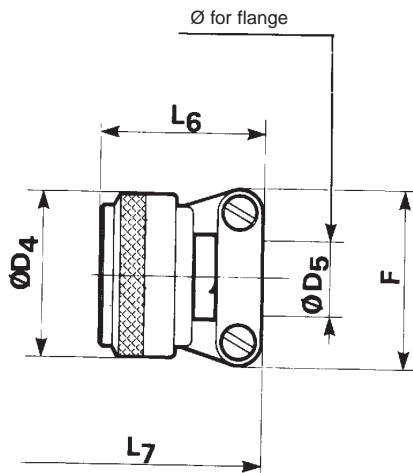
# SOURIAU 8T Series

## backshells

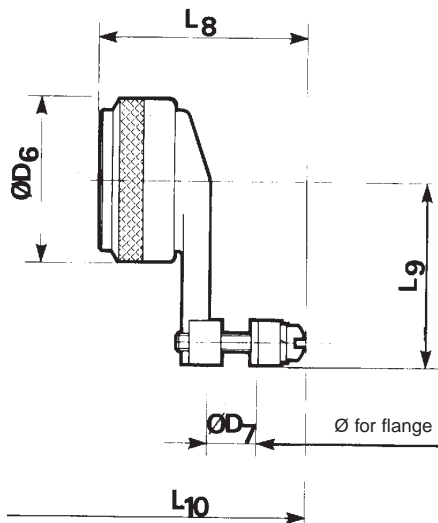
backnut type 01



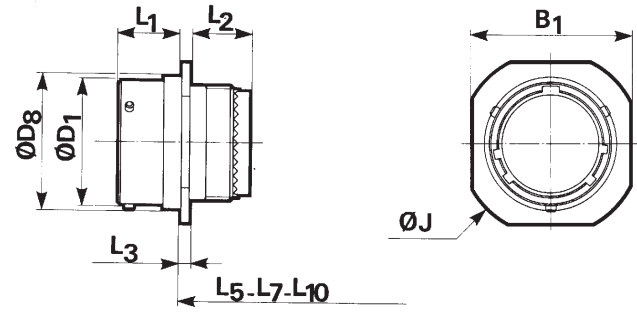
straight cable clamp type 02



elbow cable clamp type 03



## cable connecting receptacle type 1



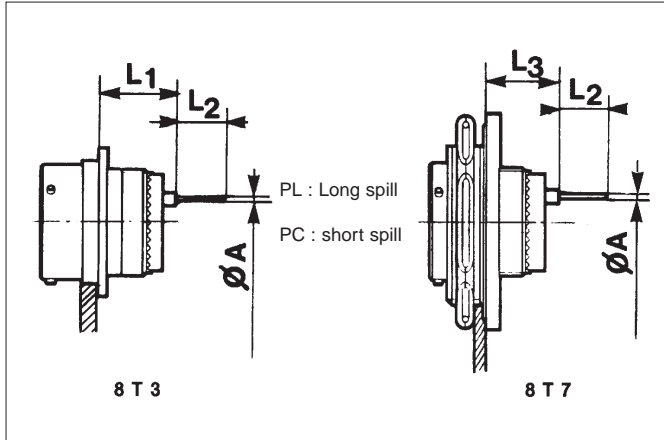
cable connecting receptacle backshell  
assembly overall length

shell size		08	10	12	14	16	18	20	22	24
B1	Max	14.62 .576	18.92 .745	22.22 .875	25.62 1.009	27.82 1.095	31.35 1.234	34.62 1.363	38.02 1.497	42.02 1.654
	D1	Max	12.04 .474	15.02 .591	19.08 .751	22.25 .876	25.43 1.001	28.61 1.126	31.78 1.251	34.95 1.376
D8	Max	13.89 .547	17.07 .672	21.44 .844	24.61 .969	27.79 1.094	30.96 1.219	34.14 1.344	37.31 1.469	40.49 1.594
	J	Max	24.51 .965	27.60 1.087	30.04 1.183	32.43 1.277	34.82 1.371	37.21 1.465	40.36 1.589	43.56 1.715
L1	Max	11.35 .447	11.35 .447	11.35 .447	11.35 .447	11.35 .447	11.35 .447	11.35 .447	11.35 .447	11.35 .447
	L2	Max	12.27 .483	12.27 .483	12.27 .483	12.27 .483	12.27 .483	12.27 .483	12.27 .483	14.00 .551
L3	Max	1.75 .069	1.75 .069	1.75 .069	1.75 .069	1.75 .069	1.75 .069	1.75 .069	1.75 .069	1.75 .069
	D2	Max	15.67 .617	18.64 .734	21.79 .858	24.99 .984	28.24 1.112	30.94 1.218	34.16 1.345	37.29 1.468
D3	Max	6.96 .274	10.46 .412	13.36 .526	16.53 .651	19.71 .776	22.40 .882	25.56 1.006	28.75 1.132	31.93 1.257
	L4	Max	11.30 .445	11.30 .445	11.30 .445	11.30 .445	11.30 .445	11.30 .445	11.30 .445	11.30 .445
L5	Max	15.63 .615	15.63 .615	15.63 .615	15.63 .615	15.63 .615	15.63 .615	15.63 .615	15.63 .615	17.61 .693
	D4	Max	15.67 .617	18.64 .734	21.79 .858	24.99 .984	28.24 1.112	30.94 1.218	34.16 1.345	37.29 1.468
D5	min	1.40 .055	1.40 .055	2.40 .094	5.60 .220	5.60 .220	8.80 .346	11.90 .469	15.10 .594	15.10 .594
	Max	3.20 .126	4.80 .189	6.40 .252	9.50 .374	12.70 .500	15.90 .626	19.10 .752	22.20 .874	25.40 1.000
F	Max	21.03 .828	22.63 .891	25.81 1.016	28.98 1.141	30.56 1.203	37.31 1.469	37.31 1.469	42.06 1.656	44.45 1.750
	L6	Max	22.22 .875	22.22 .875	22.22 .875	28.57 1.125	28.57 1.125	28.57 1.125	28.57 1.125	31.75 1.250
L7	Max	31.73 1.249	31.73 1.249	31.73 1.249	37.68 1.483	37.68 1.483	37.68 1.483	37.68 1.483	41.23 1.623	41.21 1.622
	D6	Max	15.67 .617	18.64 .734	21.79 .858	24.99 .984	28.24 1.112	30.94 1.218	34.16 1.345	37.29 1.468
D7	min	3.20 .126	4.00 .157	4.80 .189	5.50 .217	6.40 .252	7.90 .311	9.50 .374	10.30 .406	14.30 .563
	Max	6.40 .252	9.50 .374	11.10 .437	14.30 .563	15.90 .626	19.10 .752	22.20 .874	23.80 .937	25.40 1.000
L8	Max	35.32 1.391	35.32 1.391	37.30 1.469	41.67 1.641	46.04 1.813	46.45 1.829	48.43 1.907	51.98 2.046	54.78 2.157
	L9	Max	25.40 1.000	26.19 1.031	27.79 1.094	30.96 1.219	32.54 1.281	34.14 1.344	34.93 1.375	36.53 1.438
L10	Max	39.29 1.547	39.29 1.547	42.27 1.664	45.64 1.797	50.01 1.969	50.42 1.985	52.40 2.063	55.95 2.203	60.73 2.391



# SOURIAU 8T Series

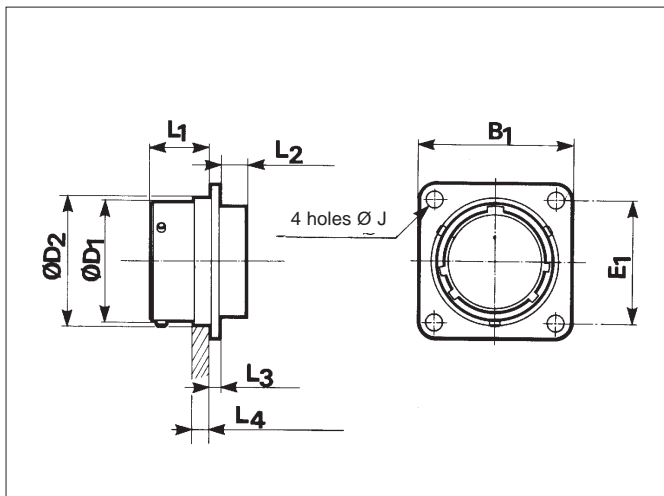
## contacts



Contact size	Contact type	Part numbers
22D	long spill male	8599-0720
	long spill female	8599-7707
	short spill male	8599-0730
20	short spill male	8599-0724
16	short spill male	8599-0726

shell size		08	10	12	14	16	18	20	22	24
A	#22D/#20	0.70 .028	0.70 .028	0.70 .028	0.70 .028	0.70 .028	0.70 .028	0.70 .028	0.70 .028	0.70 .028
	#16	1.15 .045	1.15 .045	1.15 .045	1.15 .045	1.15 .045	1.15 .045	1.15 .045	1.15 .045	1.15 .045
L1	male #22D PC/PL	13.40 .528	13.40 .528	13.40 .528	13.40 .528	13.40 .528	13.40 .528	13.40 .528	13.40 .528	13.40 .528
	female #22D PL	13.40 .528	13.40 .528	13.40 .528	13.40 .528	13.40 .528	13.40 .528	13.40 .528	13.40 .528	13.40 .528
	male #20PC ; #16 PC	13.57 .534	13.57 .534	13.57 .534	13.57 .534	13.57 .534	13.57 .534	13.57 .534	13.57 .534	13.57 .534
L2	PL #22D	8.50 .335	8.50 .335	8.50 .335	8.50 .335	8.50 .335	8.50 .335	8.50 .335	8.50 .335	8.50 .335
	PC #22D	4.00 .157	4.00 .157	4.00 .157	4.00 .157	4.00 .157	4.00 .157	4.00 .157	4.00 .157	4.00 .157
	PC #20 / PC #16	5.10 .201	5.10 .201	5.10 .201	5.10 .201	5.10 .201	5.10 .201	5.10 .201	5.10 .201	5.10 .201
L3	male #22D PC/PL	13.61 .536	13.61 .536	13.61 .536	13.61 .536	13.61 .536	13.61 .536	12.95 .510	12.95 .510	12.95 .510
	female #22D PL	13.61 .536	13.61 .536	13.61 .536	13.61 .536	13.61 .536	13.61 .536	12.95 .510	12.95 .510	12.95 .510
	male #20 PC ; 16 PC	13.78 .543	13.78 .543	13.78 .543	13.78 .543	13.78 .543	13.78 .543	13.12 .517	13.12 .517	13.12 .517

## receptacle type 2

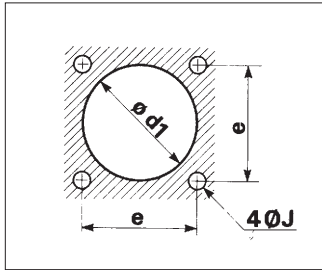


shell size	08	10	12	14	16	18	20	22	24
B1 Max	21.03 .828	24.24 .954	26.72 1.052	29.01 1.142	31.37 1.235	33.73 1.328	36.91 1.453	40.08 1.578	43.26 1.70
E1	15.10 .594	18.26 .719	20.62 .812	23.01 .906	24.61 .969	26.97 1.062	29.36 1.156	31.75 1.250	34.93 1.375
D1 Max	12.01 .473	15.00 .591	19.06 .750	22.23 .875	25.41 1.000	28.61 1.126	31.78 1.251	34.95 1.376	38.13 1.501
D2 Max	13.24 .521	16.19 .637	20.48 .806	23.70 .933	26.83 1.056	30.96 1.219	34.14 1.344	37.31 1.469	40.49 1.594
J Max	3.30 .130	3.30 .130	3.30 .130	3.30 .130	3.30 .130	3.30 .130	3.30 .130	3.30 .130	3.99 .157
L1 Max	11.35 .447	11.35 .447	11.35 .447	11.35 .447	11.35 .447	11.35 .447	11.35 .447	11.35 .447	11.35 .447
L2 Max	4.77 .188	4.77 .188	4.77 .188	4.77 .188	4.77 .188	4.77 .188	4.77 .188	4.77 .188	4.77 .188
L3 Max	1.75 .069	1.75 .069	1.75 .069	1.75 .069	1.75 .069	1.75 .069	1.75 .069	1.75 .069	1.75 .069
L4 Max	3.71 .146	3.71 .146	3.71 .146	3.71 .146	3.71 .146	3.71 .146	4.27 .168	4.27 .168	4.27 .168

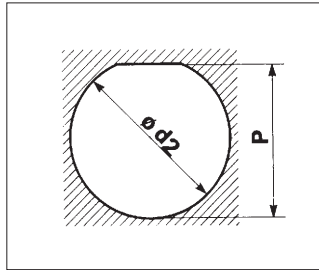
# SOURIAU 8T Series

## Panel cut-out

### square flange receptacle

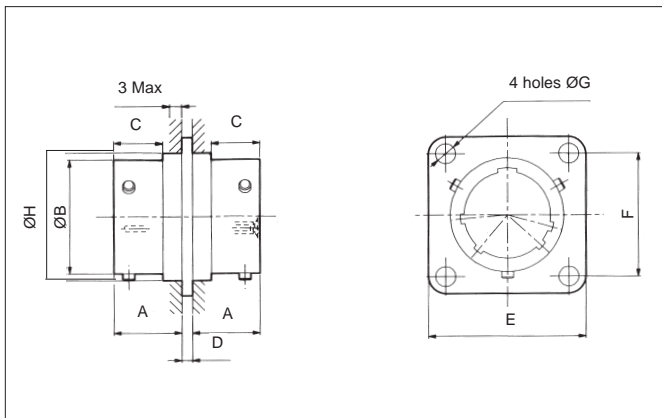


### jam nut receptacle



shell size	08	10	12	14	16	18	20	22	24
d1 min	14.15 .557	17.32 .682	21.69 .854	24.87 .979	28.04 1.104	31.22 1.229	34.39 1.354	37.57 1.479	40.74 1.604
d2	22.46 .884	25.58 1.007	28.80 1.134	31.98 1.259	35.15 1.384	38.28 1.507	41.50 1.634	44.68 1.759	47.85 1.884
J	3.25 .128	3.25 .128	3.25 .128	3.25 .128	3.25 .128	3.25 .128	3.25 .128	3.25 .128	3.91 .154
e	15.09 .594	18.26 .719	20.62 .812	23.01 .906	24.61 .969	26.97 1.062	29.36 1.156	31.75 1.250	34.93 1.375
P	21.08 .830	24.26 .955	27.53 1.084	30.68 1.208	33.86 1.333	37.06 1.459	40.03 1.576	43.21 1.701	46.38 1.826

## Through bulkhead receptacle



shell size	A Max	B Max	C Max	D Max	E Max	F	G Max	H Max
08	11.35 .447	12.04 .474	8.18 .322	1.75 .069	21.03 .828	15.09 .594	3.30 .130	13.89 .547
10	11.35 .447	15.02 .591	8.18 .322	1.75 .069	24.23 .954	18.26 .719	3.30 .130	17.07 .672
12	11.35 .447	19.08 .751	8.18 .322	1.75 .069	26.59 1.047	20.62 .812	3.30 .130	21.44 .844
14	11.35 .447	22.25 .876	8.18 .322	1.75 .069	28.98 1.141	23.01 .906	3.30 .130	24.61 .969
16	11.35 .447	25.43 1.001	8.18 .322	1.75 .069	31.34 1.234	24.61 .969	3.30 .130	27.79 1.094
18	11.35 .447	28.61 1.126	8.18 .322	1.75 .069	33.73 1.328	26.97 1.062	3.30 .130	30.96 1.219
20	11.35 .447	31.78 1.251	8.18 .322	1.75 .069	36.91 1.453	29.36 1.156	3.30 .130	34.14 1.344
22	11.35 .447	34.95 1.376	8.18 .322	1.75 .069	40.08 1.578	31.75 1.250	3.30 .130	37.31 1.469
24	11.35 .447	38.13 1.501	8.18 .322	1.75 .069	43.26 1.703	34.92 1.375	3.98 .157	40.49 1.594

## Ordering information

basic series	SN1738	04	T	••	••	PS	N	7
shell type	04 - through bulkhead receptacle							
class	T - sealed							
shell size	08-10-12-14-16-18-20-22-24							
contact layout	- see standard layout for 8T Series p 118							
contact type	PS - male/female contact							
polarization	N - normal							
plating	7 - olive green cadmium							

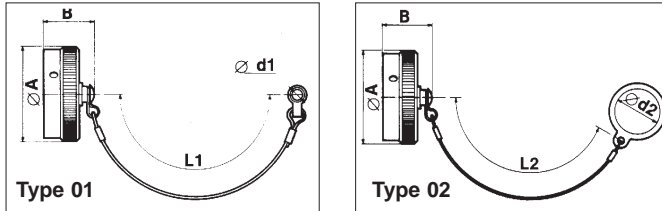
## Accessories

### protective caps

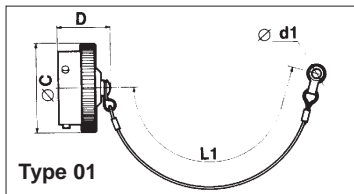
basic series	8T	E	01	G	14
cap type	E - cap for receptacle F - cap for plug				
fixing type	cap for receptacle		cap for plug		
	01 - plastic sleeved metal cord with eyelet 02 - plastic sleeved metal cord with ring		01 - plastic sleeved metal cord with eyelet		
plating	B - olive green cadmium (MIL. C 38999) F - nickel				
shell size	08-10-12-14-16-18-20-22-24				

# SOURIAU 8T Series

## protective caps for receptacles

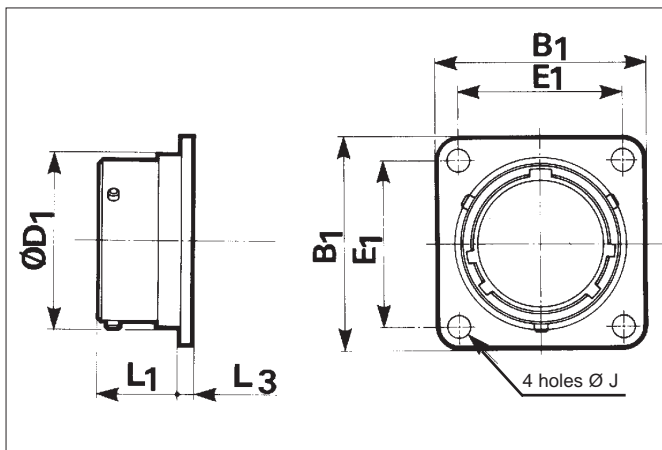


## protective caps for plugs



shell size	A Max	B Max	C Max	D Max	d1 min	d2 min	L1	L2
08	19.05 .750	20.83 .820	18.29 .720	20.83 .820	3.12 .123	22.61 .890	76.20 3.000	76.20 3.000
10	21.82 .859	20.83 .820	21.59 .850	20.83 .820	3.12 .123	25.65 1.010	76.20 3.000	76.20 3.000
12	26.19 1.031	20.83 .820	25.40 1.000	20.83 .820	3.12 .123	28.96 1.140	88.90 3.500	88.90 3.500
14	29.36 1.156	20.83 .820	28.70 1.130	20.83 .820	3.12 .123	32.00 1.260	88.90 3.500	88.90 3.500
16	32.54 1.281	20.83 .820	31.75 1.250	20.83 .820	3.12 .123	35.31 1.390	88.90 3.500	88.90 3.500
18	35.71 1.406	20.83 .820	35.05 1.380	20.83 .820	3.12 .123	38.35 1.510	88.90 3.500	88.90 3.500
20	38.89 1.531	20.83 .820	38.10 1.500	20.83 .820	3.12 .123	41.66 1.640	101.60 4.000	101.60 4.000
22	41.68 1.641	20.83 .820	41.40 1.630	20.83 .820	3.12 .123	44.70 1.760	101.60 4.000	101.60 4.000
24	44.86 1.766	20.83 .820	44.45 1.750	20.83 .820	3.53 .139	48.01 1.890	101.60 4.000	101.60 4.000

## dummy receptacle



shell size	part number	L1 Max	L3 Max	D1 Max	B1 Max	E1	J
08	8T3-08•UR	11.35 .447	1.75 .069	12.04 .474	21.03 .828	15.09 .594	3.30 .130
10	8T3-10•UR	11.35 .447	1.75 .069	15.02 .591	24.23 .954	18.26 .719	3.30 .130
12	8T3-12•UR	11.35 .447	1.75 .069	19.08 .751	26.59 1.047	20.62 .812	3.30 .130
14	8T3-14•UR	11.35 .447	1.75 .069	22.25 .876	28.98 1.141	23.01 .906	3.30 .130
16	8T3-16•UR	11.35 .447	1.75 .069	25.43 1.001	31.34 1.234	24.61 .969	3.30 .130
18	8T3-18•UR	11.35 .447	1.75 .069	28.61 1.126	33.73 1.328	26.97 1.062	3.30 .130
20	8T3-20•UR	11.35 .447	1.75 .069	31.78 1.251	36.91 1.453	29.36 1.156	3.30 .130
22	8T3-22•UR	11.35 .447	1.75 .069	34.95 1.376	40.08 1.578	31.75 1.250	3.30 .130
24	8T3-24•UR	11.35 .447	1.75 .069	38.13 1.501	43.26 1.703	34.93 1.375	3.99 .157

• : G olive green cadmium  
F nickel

## gaskets

Shell size	Part numbers	
	gasket for receptacle type 3 (ordered separately)	O. ring for receptacle type 7
08	8525-1431	MS9068-022
10	8525-1432	MS9068-024
12	8525-1433	MS9068-026
14	8525-1434	MS9068-028
16	8525-1435	MS9068-029
18	8525-1436	MS9068-030
20	8525-1437	MS9068-031
22	8525-1438	MS9068-032
24	8525-1439	MS9068-033

## plastic protective caps

Shell size	Part numbers	
	cap for receptacles	cap for plug
08	8500-5585A	8500-5594
10	8500-5586A	71120
12	8500-5587A	8500-5596
14	8500-5588A	8500-5597
16	8500-5589A	8500-5598
18	8500-5590A	8500-5589
20	8500-5591A	8500-5600
22	8500-5592A	8500-5601
24	8500-5593A	8500-5602

## Re-usable fixing plate

two, three or four-holes self-locking fixing-plates are available at SNC - See page 123

# 8LT-8D-8ST-8T

## Contact layouts for 8LT-8D-8ST-8T - viewed from front face of male insulator

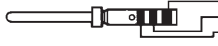
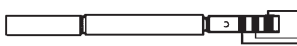
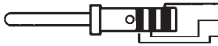
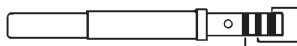

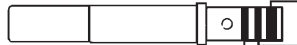





shell size		8LT-8D		8ST-8T	
09	08	35 6 # 22D 	8LT 8D 8ST 8T	98 3 # 20 	8LT 8D 8ST
11	10	35 13 # 22D 	8LT 8D 8ST 8T	98 6 # 20 	8LT 8D 8ST
13	12	35 22 # 22D 	8LT 8D 8ST 8T	98 10 # 20 	8LT 8D 8ST
15	14	35 37 # 22D 	8LT 8D 8ST 8T	19 19 # 20 	8LT 8D 8ST
17	16	35 55 # 22D 	8LT 8D 8ST 8T	26 26 # 20 	8LT 8D 8ST 8T
		06 6 # 12 	8LT 8D 8ST 8T	08 8 # 16 	8LT 8D 8ST 8T
19	18	35 66 # 22D 	8LT 8D 8ST 8T	32 32 # 20 	8LT 8D 8ST
		11 11 # 16 	8LT 8D 8ST		
21	20	35 79 # 22D 	8LT 8D 8ST 8T	41 41 # 20 	8LT 8D 8ST 8T
		16 16 # 16 	8LT 8D 8ST 8T	11 11 # 12 	8LT 8D 8ST 8T
23	22	75 4 # 8 	8LT 8ST	39 37 # 20 2 # 16 	8LT 8D 8ST
		35 100 # 22D 	8LT 8D 8ST 8T	53 53 # 20 	8LT 8D 8ST
25	24	21 21 # 16 	8LT 8D 8ST		
		35 128 # 22D 	8LT 8D 8ST 8T	61 61 # 20 	8LT 8D 8ST 8T
25	24	46 40 # 20 4 # 16 - 2 # 8 	8LT 8D 8ST	19 19 # 12 	8LT 8D 8ST
		29 29 # 16 	8LT 8D 8ST 8T	43 23 # 20 20 # 16 	8LT 8D 8ST
25	24	24 12 # 16 12 # 12 	8LT 8D 8ST 8T		
		08 8 # 8 triaxial 	8D	04 48 # 20 8 # 16 	8D

- size 22 contacts
- size 20 contacts
- size 16 contacts
- size 12 contacts
- size 8 triaxial contacts
- size 8 coaxial contacts
- \* not QPL approved to date
- contact layouts available with receptacle type 2

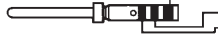


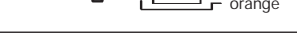
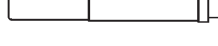

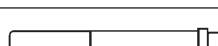
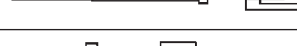
Please consult us for the composite version

# 8LT-8D-8ST-8T

## Standard contacts for 8LT-8D-8ST

contact size	contact type	standard contacts		MIL - C contacts	
		part numbers without colour code	part numbers	profile and colour code	
# 22D	male	8599-0702	M39029/58.360		orange blue black
	female	8599-0706	M39029/56.348		orange yellow grey
# 20	male	8599-0703	M39029/58.363		orange blue orange
	female	8599-0707	M39029/56.351		orange green brown
# 16	male	8599-0704	M39029/58.364		orange blue yellow
	female	8599-0708	M39029/56.352		orange green red
# 12	male	8599-0705	M39029/58.365		orange blue green
	female	8599-0709	M39029/56.353		orange green orange
# 8	male	8599-7740	-		
	female	8599-7741	-		
	boot	8590-4571	-		

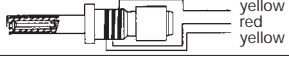

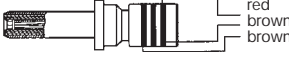
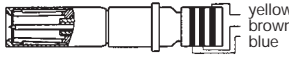
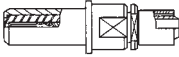


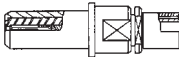
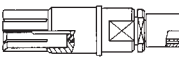


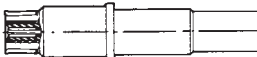

## Standard contacts for 8T

contact size	contact type	standard contacts		MIL - C contacts	
		part numbers without colour code	part numbers	profile and colour code	
# 22D	male	8599-0702	M39029/58.360		orange blue black
	female	8599-0710	M39029/57.354		orange green yellow
# 20	male	8599-0703	M39029/58.363		orange blue orange
	female	8599-0711	M39029/57.357		orange green purple
# 16	male	8599-0704	M39029/58.364		orange blue yellow
	female	8599-0712	M39029/57.358		orange green grey
# 12	male	8599-0705	M39029/58.365		orange blue green
	female	8599-0713	M39029/57.359		orange green white

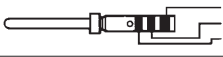

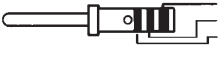
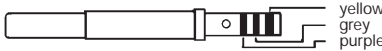
NOTES : (1) Boots for sealing to be ordered separately

# 8LT-8D-8ST-8T

## Coaxial and triaxial contacts for 8LT-8D-8ST

contact size	contact type	standard contacts	part numbers	MIL - C contacts
		part numbers without colour code		profile and colour code
# 16 coaxial contact	male	8599-0916		 yellow red yellow
	female	8599-0920		 yellow red grey
# 12 coaxial contact	male	8599-0980 <sup>(2)</sup> (SN 1891K-0980) <sup>(2)</sup>	M39029/28.211 <sup>(2)</sup>	 red brown brown
	female	8599-0990 <sup>(2)</sup> (SN 1891K-0990) <sup>(2)</sup>	M39029/75.416 <sup>(2)</sup>	 yellow brown blue
# 8 coaxial contact	male	SN 1891K-0810	M39029/59.366	
	female	SN 1891K-0820	M39029/60.367	
	boot	8590-4571 <sup>(2)</sup>	-	
# 8 coaxial contact	male	SN 1891K-0811 <sup>(2)</sup>	-	
	female	SN 1891K-0821 <sup>(2)</sup>	-	
	boot	8977-343A <sup>(1) (2)</sup>	-	
# 8 triaxial contact	male	8599-0988	M39029/90.529	
	female	8599-0998	M39029/91.530	
	boot	8590-4571 <sup>(1)</sup>	-	

## Thermocouple contacts for 8LT-8D-8ST

contact size	contact type	standard contacts	part numbers	MIL - C contacts
		part numbers without colour code		profile and colour code
# 20 chromel	male	8599-0749 yellow dot	8599-0949	 yellow purple blue
	female	8599-0753 yellow dot	8599-0953	 yellow grey grey
# 20 alumel	male	8599-0761 black dot	8599-0961	 yellow purple green
	female	8599-0765 black dot	8599-0965	 yellow grey purple

NOTES : (1) Boots for sealing to be ordered separately - (2) Please consult us.

# 8LT-8D-8ST-8T

## Straight spill contacts for 8LT - 8D

contact size	contact type	part number	profile
# 22D	male long spill	8599-0720	
	male short spill	8599-0730	
	male specific spill	8599-0796	
	female long spill	8599-0721	
	female short spill	8599-0731	
	female specific spill	8599-0797	
# 20	male short spill	8599-0724	
	female short spill	8599-0725	
# 16	male short spill	8599-0726	
	male short spill	8599-0727	
# 16 coaxial contact	male	SN1891K16-050M (2)	

(2) Please consult us.

## Wire wrap for 8D

contact size	contact type	part number	profile
# 22D	male	8599-0790	
# 22D	male	8599-0791	

## Dimensions - crimp contacts

contact size	contact type	contact Ø	conductor section				external Ø over insulation	
			AWG		mm		min	Max.
# 22D	male/female	0.76	28	22	0.095	0.34	0.76	1.37
# 20	male/female	1	24	20	0.21	0.60	1.02	2.11
# 16	male/female	1.6	20	16	0.60	1.34	1.65	2.77
# 12	male/female	2.4	14	12	1.91	3.18	2.46	3.61
# 8	male/female	3.64	-	8	-	8.98	4.50	6.50
# 16 coaxial contact	male/female	1.6	RG 174 - RG 179 - RG 316				1.65	2.60
# 12 coaxial contact	male/female	2.4	RG 174 - RG 179 - RG 316				2.40	2.60
# 8 coaxial contact	male/female	5.5	RG 188A/U				-	2.80
# 8 (1) coaxial contact	male/female	5.5	NRFC - 50 - COAX 3 - SSO 21 653				4.6	4.80
# 8 triaxial contact	male/female	5.5	MIL-C 17/176.00002 - FILECA F. 2703/14 RAYCHEM CHEMINAX 10612 - FILOTEX M 17/176.00002				3.15	3.40

Note : (1) SN1891K - 0811/0821 : please consult us.

## straight spill contacts

contact size	contact type	contact Ø (mm)	spill Ø (mm)
# 22D	male long spill	0.76	0.70
	male short spill	0.76	0.70
	female long spill	0.76	0.70
	female short spill	0.76	0.70
	male specif spill	0.76	0.50
	female specif spill	0.76	0.50
# 20	male short spill	1	0.70
	female short spill	1	0.70
# 16	male short spill	1.6	1
	female short spill	1.6	1

## wire wrap contact

contact size	contact type	contact Ø (mm)	spill Ø (mm)
# 22D	male	0.76	0.86
# 22	male	1	0.86

# 8LT-8D-8ST-8T

## Tooling for 8LT-8D-8ST-8T crimping

contact size	wire size		type	part number plier M22520 / 1-01 (FCI Souriau 8365)		part number plier M22520 / 2-01 (FCI Souriau 8476-01)	
	mm <sup>2</sup>	AWG		NORME/SPEC	FCI Souriau	NORME/SPEC	FCI Souriau
22D	0.38	22	male	—	—	M22520/2-09	8476-09
	0.21	24	female	—	—	M22520/2-07	8476-07
0.15	26						
20	0.095	28					
	0.60	20	male	M22520/1-04	8365-04	M22520/2-10	8476-10
	0.38	22	female	M22520/1-04	8365-04	M22520/2-10	8476-10
0.21	24						
16							
	1.34	16	male	M22520/1-04	8365-04	—	—
	0.93	18	female	M22520/1-04	8365-04	—	—
0.60	20						
12							
	3.18	12	male	M22520/1-04	8365-04	—	—
	1.91	14	female	M22520/1-04	8365-04	—	—
8							
	8.98	8	male		JAT M810G	—	JAT T810G
			female		JAT M810G	—	JAT T810G

### Coaxial contact # 16

contact type	pliers	locators
inner contact	M22520/2.01	M22520/2.35
outer contact	M22520/4.01	M22520/4.02

### Coaxial contact # 8

(SN 1891K-0810 and SN 1891K-0820)

contact type	pliers	locators	stripping tool
inner contact	M22520/2.01	SN 1891 K 101	SN 1891 K 102
outer contact	M22520/5.01	Y 248	SN 1891 K 102

### Coaxial contact # 8

(SN 1891K-0811 and SN 1891K-0821)

contact type	pliers	locators	stripping tool
inner contact	M22520/2.01	SN 1891 K 101	(1)
outer contact	(1)	(1)	(1)

### Coaxial contact # 12

(SN1891K-0980 and SN1891K-0990)

contact type	pliers	locators
outer contact (male and female)	M22520/5.01	8976-730
inner contact (male)	M22520/2.01	8976-720
inner contact (female)	M22520/2.01	8972-710

### Triaxial contact # 8

(8599-0988 and 8599-0998)

contact type	pliers	locators
middle contact	M22520/2.01	M22520/2.37
inner contact	M22520/2.01	SN 1767 K 100
ferrule	M22520/5.01	Y631

(1) Please consult us.



# 8LT-8D-8ST-8T

## Insertion and extraction of wired contacts for 8LT-8D-8ST-8T

contact size	part numbers		colour	
	SPEC	FCI Souriau	insert.	extract
# 22D	M81969/14-01	-	green	white
# 20	M81969/14-10	-	red	white
# 16 standard & coaxial	M81969/14-03	-	blue	white
# 12 standard & coaxial	M81969/14-04	-	yellow	white
# 8	-	-	manual insertion	steel
# 8 coaxial & triaxial	-	8660-197	manual insertion	steel

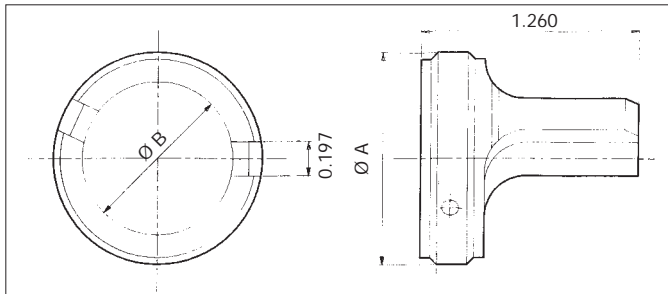
## Filler plugs

contact size	part numbers		Colour
	SPEC	FCI Souriau	
# 22D	MS27488-22	8660-212	black
# 20	MS27488-20	8522-389A	red
# 16 standard & coaxial	MS27488-16	8522-390A	blue
# 12 standard & coaxial	MS27488-12	8522-391A	yellow

These filler plugs are installed at the rear of unwired contacts to maintain connector sealing.

Dummy contact for cavity of triaxial and coaxial contacts # 8 : 8599-0308.

## Coupling ring adaptor for 8T-8LT (SHTP)



basic series	SN1097 • • • A
size	
plating	- olive green cadmium F - nickel (for 8T only)
suffix	

part number		A Max	B
HE 308 (8LT)	HE 309 (8T)		
	SN1097-08-*A	28 1.102	19.70 0.776
SN1097-09 A	SN1097-10-*A	30.8 1.213	22.20 0.874
SN1097-11 A	SN1097-12-*A	35.1 1.382	26.60 1.047
SN1097-13 A	SN1097-14-*A	38.3 1.508	29.80 1.173
SN1097-15 A	SN1097-16-*A	41.5 1.634	32.90 1.295
SN1097-17 A	SN1097-18-*A	44.7 1.760	36.10 1.421
SN1097-19 A	SN1097-20-*A	47.5 1.870	39.30 1.547
SN1097-21 A	SN1097-22-*A	50.6 1.992	42.10 1.657
SN1097-23 A	SN1097-24-*A	53.8 2.118	45.10 1.776
SN1097-25 A		57.10 2.248	48.40 1.906

\* Plating type

## Reusable fixing plate

Two, three or four holes self-locking fixing plates are available at SHTP, see page 126.