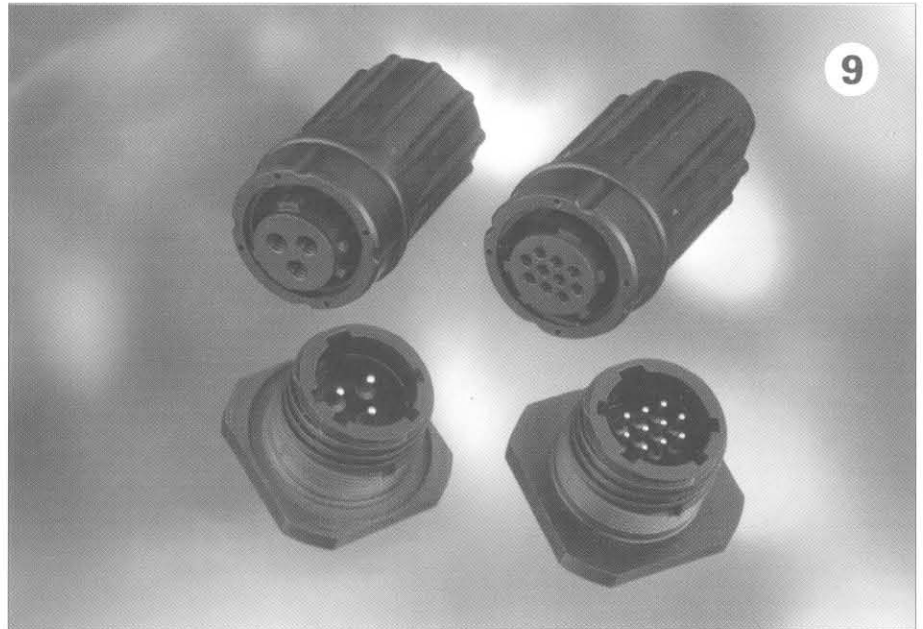


## SER 2 series

### Description

- Designed to match the harshest environment
- Shells in polyurethane : resist to
  - Chocs and falls
  - Vibrations
  - Intensive usage
  - Corrosion
- High sealing level (IP 68) which allows underwater and mud coupling
- Quick and robust screw coupling system ( 5 keyways)
- Exist today in 3 and 10 contact layouts
- With SER series, cable is overmoulded



### Applications

- Seismic data acquisition units for land and/or shallow water survey

### Technical features

#### Mechanical

- Durability : 400 cycles in humid conditions

#### Material

- Shell : Hard Polyurethane
- Insert : Soft Polyurethane
- Pins : Copper alloy with gold plating
- Sockets : Beryllium copper with gold plating

#### Electrical

- I Max = 15 Amps (3 contacts)  
I Max = 7.5 Amps (10 contacts)
- Resistance :  $\geq 10000 \text{ M}\Omega$  under 500 Vcc
- Dielectric withstanding voltage : 1500 Vcc during 1 mn
- Contact resistance :  $\leq 25 \text{ m}\Omega$  Max

#### Cable acceptance

- Wire Gauge 14 Max
- Solder Terminations

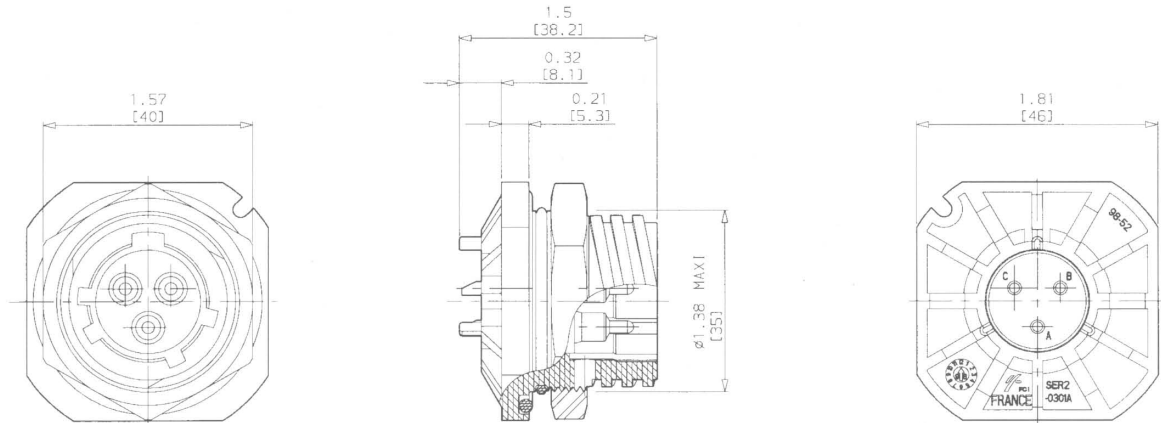
#### Environmental

- Working temperature : - 40°C +70°C
- IP 68 :  $R_i \geq 200 \text{ M}\Omega$  under 30 meters of water
- Damp heat : 56 days
- Resistance to salt spray : 500 hours-unmated conditions
- Hermeticity :  $10^{-7} \text{ Atm.cm}^3/\text{s}$
- Resistance to hydrocarbons like kerosen, gasoil

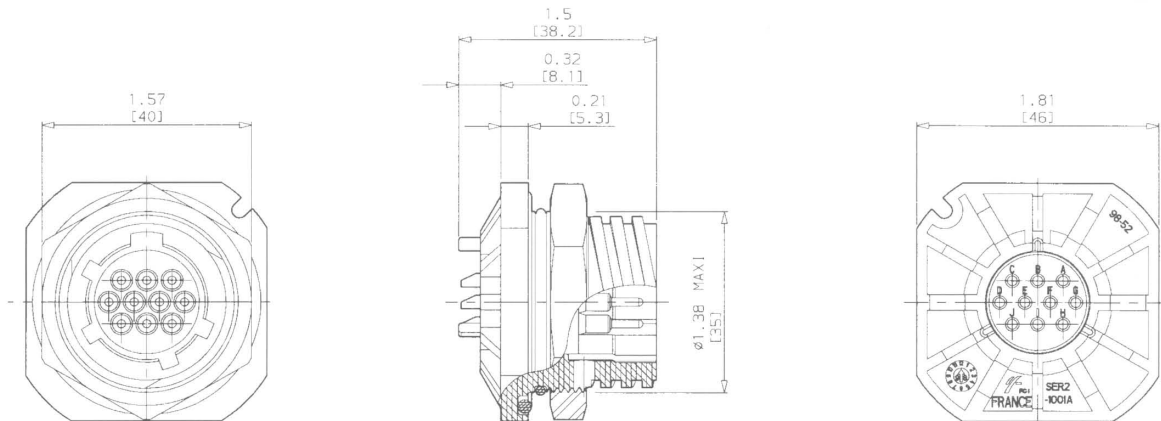
P/N	Description	Number of contacts
SER20301A	Receptacle	3
SER20302A	Plug insert	3
SER21001A	Receptacle	10
SER21002A	Plug insert	10
GE02VVE0801A	Plug coupling ring	
SER20001B	Dust cap	

## Receptacles

**SER20301A**

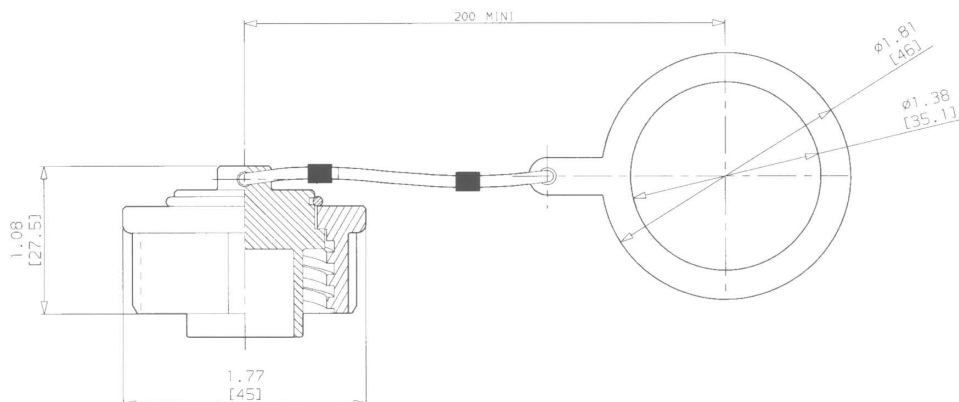


**SER21001A**



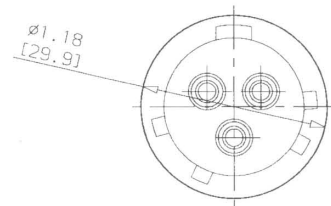
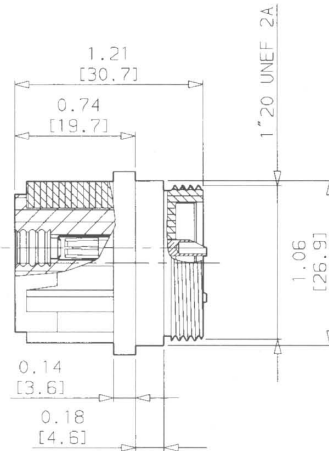
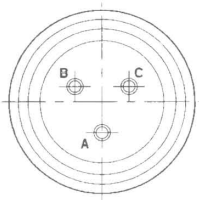
## Dust Cap

**SER20001B**



## Plug inserts

**SER20302A**



**SER21002A**

