



Metal circular connector

(Suitable for EMC requirements)

Description

“UTO” Bantam industrial circular connectors are a range of multiway connectors available in 8 shell sizes and 8 insert arrangements all intermateable, interchangeable and intermountable with the Trim-Trio “UTG” and “UTP industrial connector families.

“UTO” is equipped with identical shells from military connectors complying to MIL-C-26482 spec.

Strong and rugged built to resist every environmental and mechanical requirement for indoor and outdoor applications.

In combination with the shielded backshell, “UTO” offers the perfect solution to EMC requirements.



Features and benefits

- Suitable for EMC requirements.
- Shielded backshell is independent of the cable diameter and its shielding.
- Available in 8 shell sizes and 8 insert arrangements.
- Available in plug and receptacle version for both male and female contacts.
- Shells and accessories are made from tin plated corrosion resistant Aluminium.
- Plastic inserts with flammability rating: UL94-V0.
- Alu. bayonet ring:
 - Metal wave spring loaded.
 - Locks with audible positive “click”
 - Assures 500 matings and unmatings

Performance characteristics

Operating temperature:	-55°C to +125°C
Insulation resistance:	5000 MΩ min.
Test potential:	2000 VAC
Durability:	500 matings and unmatings.
Vibration resistance:	Per MIL-STD202 method 204
Thermal shock:	Per MIL-STD202 method 207
Corrosion:	Salt spray per MIL-STD 202 method 101
Shielding effectiveness: 95 dB at 1 Mhz (see shielded connectors section)	

Construction

Shells and accessories:	Aluminium alloy
Coupling ring:	Aluminium alloy
Tri-lock pins:	Stainless steel
Coupling spring:	Spring steel
Insert:	Glass-filled thermoplast UL94-V0
Finish:	Bright tin (standard)

Contact accommodation

- “UTO” connectors accept Trim-Trio removable snap-lock contacts (see contacts section)
- Contacts to be ordered separately.

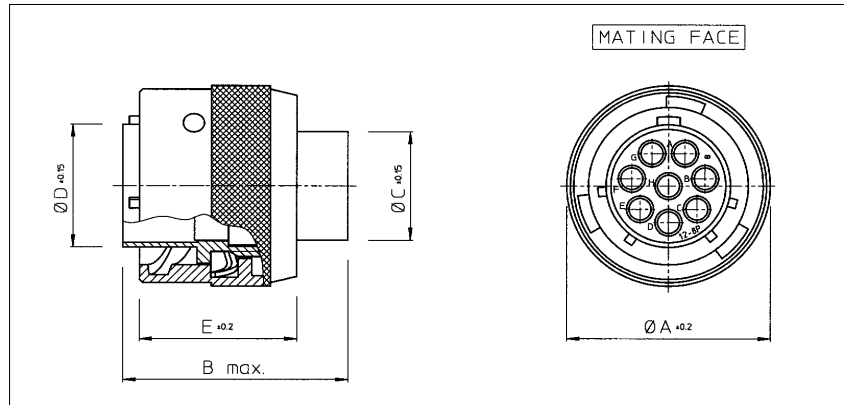
How to order

	UTO	0	14	12	P	-	H	--	T
	UTO	6	14	12	S	-			
Body variation:		0 : Wall mounting receptacle 6 : Cable plug 1 : Free hanging receptacle 7 : Bulk head receptacle for rear panel mounting							
Shell size:									
Insert arrangement:									
Type of contacts:		P : Pin contacts S : Socket contacts							
Insert polarisation:		No letter : Standard version							
Application:		No letter : Standard version H : Water protected version (only receptacle)							
Design variation:		No letter : Standard version Others : Special versions							
Plating:		T : Bright tin (Standard version)							

UTO - Bantam

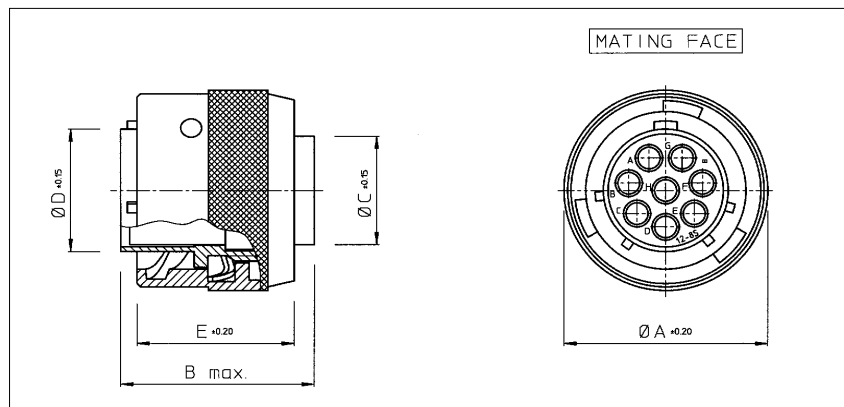


Cable plug for pin contacts (UT06- - -PT)



Part number	Shell size	$\varnothing A_{\pm 0.2}$	B max.	$\varnothing C_{\pm 0.15}$	$\varnothing D_{\pm 0.15}$	$E_{\pm 0.2}$
UT06104PT	10	21.6	31.8	10.2	12.3	19.1
UT06128PT	12	24.8		13.4	15.1	
UT061412PT	14	28.0		16.7	18.3	
UT061619PT	16	31.2		19.7	21.5	
UT061823PT	18	34.3		21.7	24.0	
UT062028PT	20	37.5		24.9	27.2	
UT062235PT	22	40.7		28.1	30.4	
UT062448PT	24	43.9	31.2	33.5		

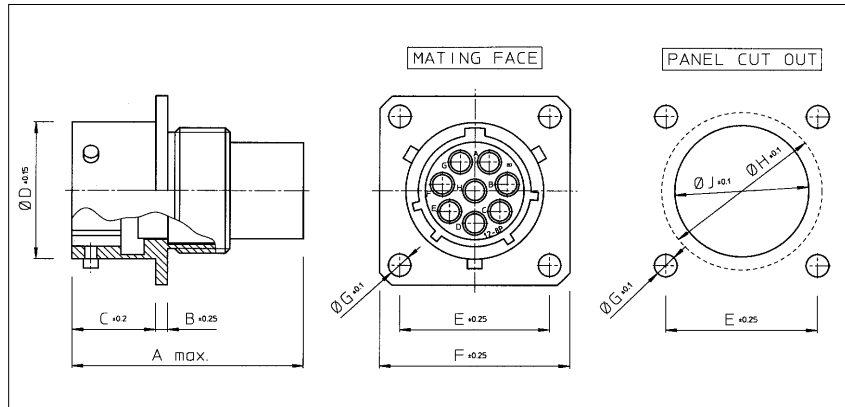
Cable plug for socket contacts (UT06- - -ST)



Part number	Shell size	$\varnothing A_{\pm 0.2}$	B max.	$\varnothing C_{\pm 0.15}$	$\varnothing D_{\pm 0.15}$	$E_{\pm 0.2}$
UT06104ST	10	21.6	31.8	10.2	12.3	19.1
UT06128ST	12	24.8		13.4	15.1	
UT061412ST	14	28.0		16.7	18.3	
UT061619ST	16	31.2		19.7	21.5	
UT061823ST	18	34.3		21.7	24.0	
UT062028ST	20	37.5	24.9	24.9	27.2	
UT062235ST	22	40.7		28.1	30.4	
UT062448ST	24	43.9	26.2	31.2	33.5	



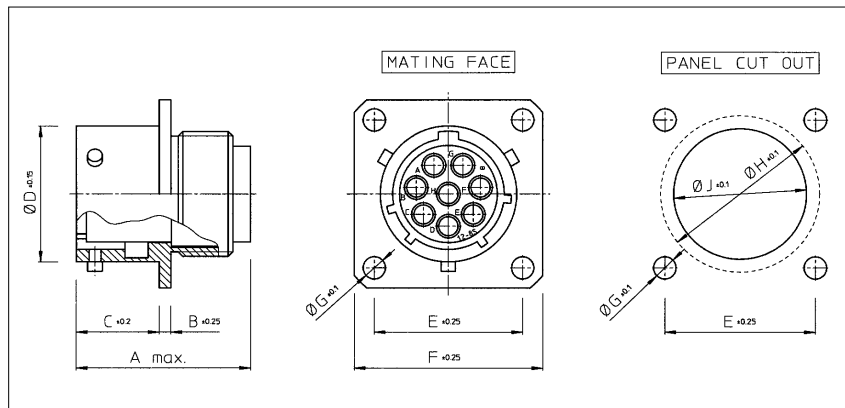
Wall mounting receptacle for pin contacts (UT00- - -PT)



Part number	Shell size	A max.	B ±0.25	C ±0.2	Ø D ±0.15	E ±0.25	F ±0.25	Ø G ±0.1	Ø H ±0.1	Ø J ±0.1	
UT00104PT	10	31.7	1.6	11.3	15.0	18.3	23.8	3.2	17.3	15.1	
UT00128PT	12				19.0	20.6	26.2		21.8	18.2	
UT001412PT	14				22.2	23.0	28.6		25.0	21.4	
UT001619PT	16				25.3	24.6	31.0		28.1	24.6	
UT001823PT	18				28.5	26.9	33.3		31.3	27.8	
UT002028PT	20	33.3	2.4	14.5	31.7	29.4	36.5	3.9	34.5	30.9	
UT002235PT	22				34.9	31.8	39.7		37.7	34.1	
UT002448PT	24				15.3	38.0	34.9		42.9	40.9	37.3

For waterprotected version add "H" behind "P" e.g. UT001412PHT

Wall mounting receptacle for socket contacts (UT00- - -ST)



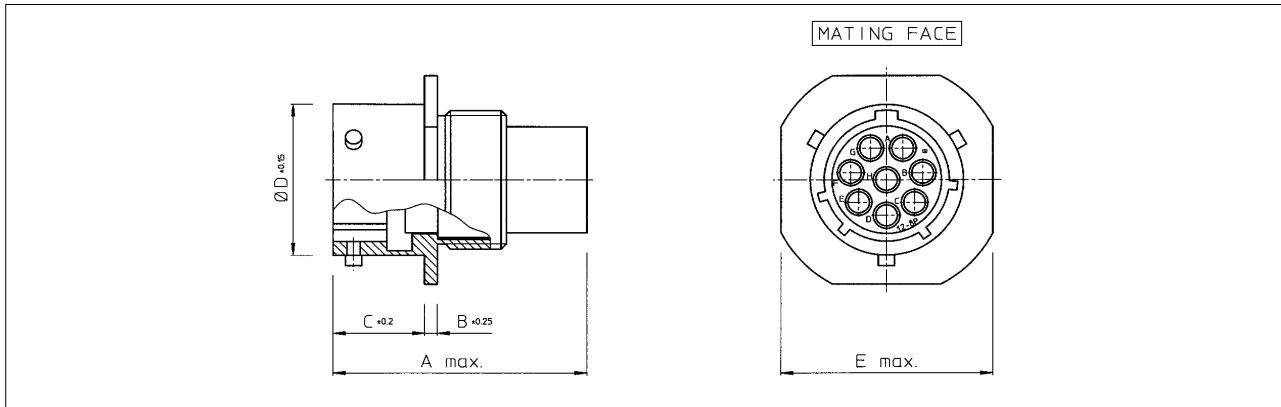
Part number	Shell size	A max.	B ±0.25	C ±0.2	Ø D ±0.15	E ±0.25	F ±0.25	Ø G ±0.1	Ø H ±0.1	Ø J ±0.1	
UT00104ST	10	24.3	1.6	11.3	15.0	18.3	23.8	3.2	17.3	15.1	
UT00128ST	12				19.0	20.6	26.2		21.8	18.2	
UT001412ST	14				22.2	23.0	28.6		25.0	21.4	
UT001619ST	16				25.3	24.6	31.0		28.1	24.6	
UT001823ST	18				28.5	26.9	33.3		31.3	27.8	
UT002028ST	20	25.9	2.4	14.5	31.7	29.4	36.5	3.9	34.5	30.9	
UT002235ST	22				34.9	31.8	39.7		37.7	34.1	
UT002448ST	24				15.3	38.0	34.9		42.9	40.9	37.3

For waterprotected version add "H" behind "S" e.g. UT001412SHT

UTO - Bantam



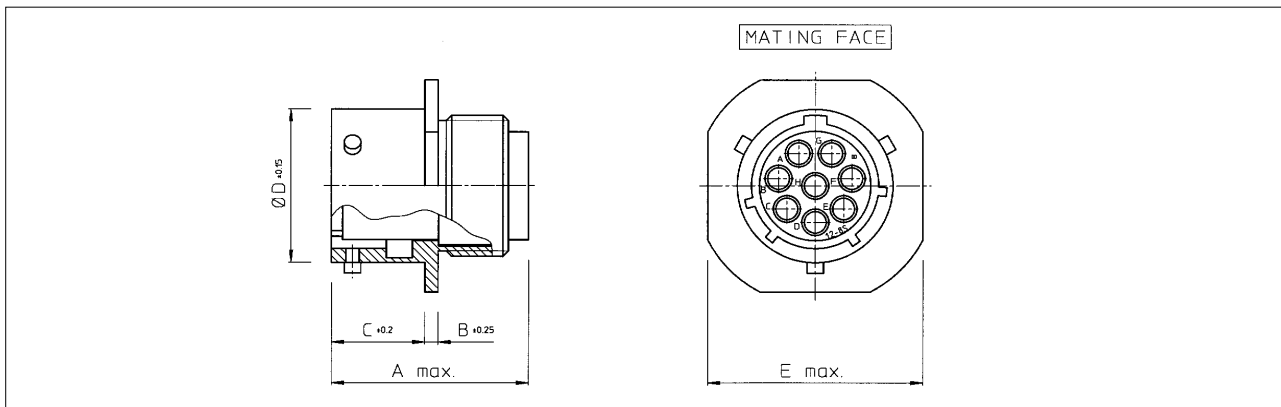
Free hanging receptacle for pin contacts (UT01- - - -PT) - suitable for cable to cable applications



Part number	Shell size	A max.	B ±0.25	C ±0.2	Ø D ±0.15	Ø E max.
UT01104PT	10	31.7	1.6	11.3	14.9	24.1
UT01128PT	12				19.0	26.4
UT011412PT	14				22.2	28.8
UT011619PT	16				25.3	31.2
UT011823PT	18	33.3	2.4	14.5	28.5	33.6
UT012028PT	20				31.7	36.8
UT012235PT	22				34.9	39.9
UT012448PT	24				15.3	38.0

For waterprotected version add "H" behind "P" e.g. UT011412PHT

Free hanging receptacle for socket contacts (UT01- - - -ST) - suitable for cable to cable applications

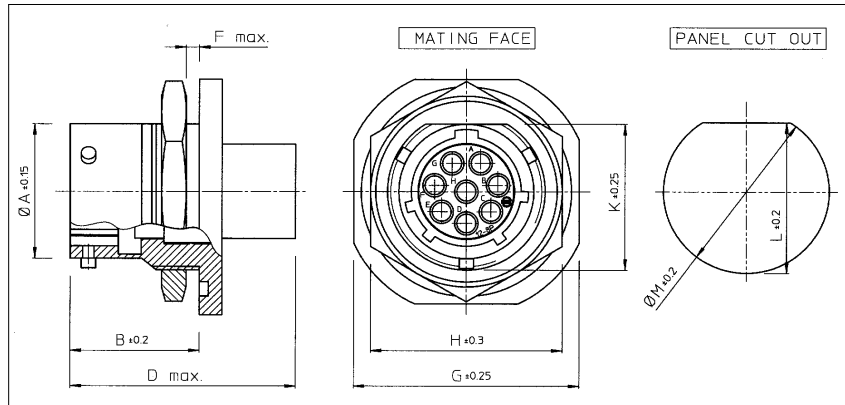


Part number	Shell size	A max.	B ±0.25	C ±0.2	Ø D ±0.15	Ø E max.
UT01104ST	10	24.3	1.6	11.3	14.9	24.1
UT01128ST	12				19.0	26.4
UT011412ST	14				22.2	28.8
UT011619ST	16				25.3	31.2
UT011823ST	18	25.9	2.4	14.5	28.5	33.6
UT012028ST	20				31.7	36.8
UT012235ST	22				34.9	39.9
UT012448ST	24				15.3	38.0

For waterprotected version add "H" behind "S" e.g. UT011412SHT



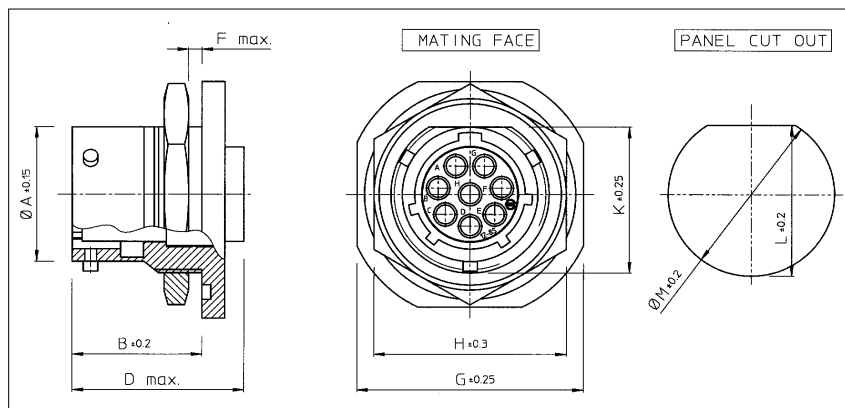
Bulk head receptacle for pin contacts (UT07- - - -PT) - suitable for rear panel mounting



Part number	Shell size	A ±0.15	B ±0.2	D max.	F max.	G ±0.25	H ±0.2	K ±0.2	L ±0.12	Ø M ±0.2
UT07104PT	10	14.9	18.0	31.7	3.2	27.0	22.2	16.6	17.0	17.7
UT07128PT	12	19.0				31.8	27.0	20.8	21.2	22.5
UT071412PT	14	22.2				34.9	30.2	23.9	24.3	25.7
UT071619PT	16	25.3				38.1	33.3	27.1	27.5	28.7
UT071823PT	18	28.5	22.7	33.3	6.4	41.3	36.5	30.3	30.6	32.0
UT072028PT	20	31.7				46.1	39.7	33.4	33.8	35.2
UT072235PT	22	34.9				49.2	42.9	36.6	37.0	38.4
UT072448PT	24	38.0				52.4	46.0	39.8	40.1	41.5

For waterprotected version add "H" behind "P" e.g. UT071412PHT

Bulk head receptacle for socket contacts (UT07- - - -ST) - suitable for rear panel mounting



Part number	Shell size	A ±0.15	B ±0.2	D max.	F max.	G ±0.25	H ±0.2	K ±0.2	L ±0.12	Ø M ±0.2
UT07104ST	10	14.9	18.0	24.3	3.2	27.0	22.2	16.6	17.0	17.7
UT07128ST	12	19.0				31.8	27.0	20.8	21.2	22.5
UT071412ST	14	22.2				34.9	30.2	23.9	24.3	25.7
UT071619ST	16	25.3				38.1	33.3	27.1	27.5	28.7
UT071823ST	18	28.5	22.7	25.9	6.4	41.3	36.5	30.3	30.6	32.0
UT072028ST	20	31.7				46.1	39.7	33.4	33.8	35.2
UT072235ST	22	34.9				49.2	42.9	36.6	37.0	38.4
UT072448ST	24	38.0				52.4	46.0	39.8	40.1	41.5

For waterprotected version add "H" behind "S" e.g. UT071412SHT