

# UTP - Full plastic Bantam



## Full plastic circular Trim Trio connector

### Description

"UTP" full plastic industrial circular connectors are a range of multiway connectors.

"UTP" provides the complete answer to the need for economical lightweight, robust circular connectors and is unique in offering a plastic bayonet coupling ring incorporating a metal wave spring, which locks with an audible positive "click". It is available in 8 shell sizes, 10 insert arrangements all interchangeable, interchangeable and intermountable with the Trim-Trio "UTO" (full metal) and "UTG" (plastic with metal coupling ring) industrial connector families.

### Features and benefits

- Available in 8 shell sizes and 10 insert arrangements incl. 2 VDE versions.
- Available in plug and receptacle versions for both male and female contacts.
- Connectors and accessories are moulded from highly durable glass-filled thermoplastic.
- Flammability rating: UL94-V0.
- Plastic bayonet ring:
  - Vibration proof thermoplast
  - Metal wave spring loaded.
  - Locks with audible positive "click"



UTP

### Performance characteristics

Operating temperature:	-55°C to +125°C
Insulation resistance:	5000 MΩ min.
Test potential:	2000 VAC
Durability:	250 matings and unmatings.

### Construction

Connector, Bayonet ring and accessories
Gas filled thermoplast UL94-V0
Colour: black
Coupling spring: Spring steel

### Contact accommodation

- "UTP" connectors accept Trim-Trio removable snap-lock contacts (see contacts section)
- Contacts to be ordered separately.

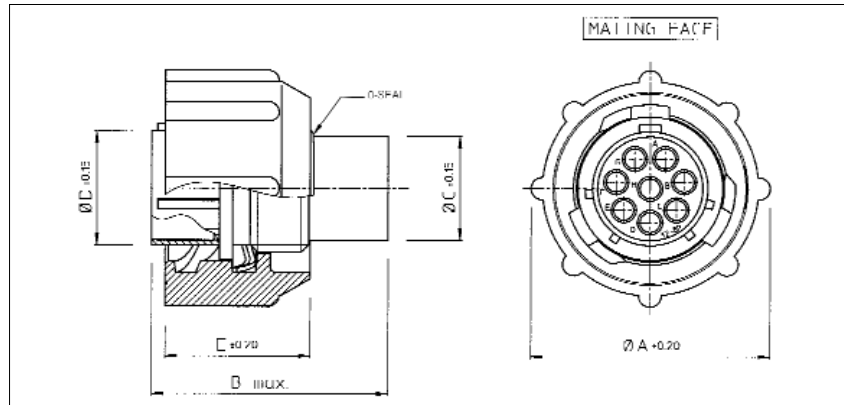
### How to order

<b>Connector family :</b>	UTP	0	14	12	P	H	--
	UTP	6	14	12	S		--
<b>Body variation:</b>	0 : Wall mounting receptacle 6 : Cable plug						
<b>Shell size:</b>							
<b>Insert arrangement:</b>							
<b>Type of contacts:</b>	P : Pin contacts S : Socket contacts						
<b>Application</b>	No letter : Standard version H : Water protected version (only receptacle)						
<b>Design variation</b>	No letter : Moulded-in contact marking (standard version) Others : Specials versions						

# UTP - Full plastic Bantam

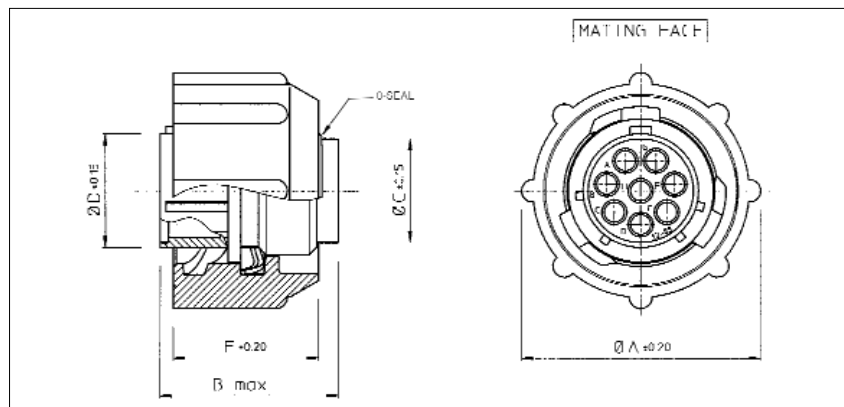


## Cable plug for pin contacts (UTP6- - - -P)



Part number	Shell size	Ø A ±0.2	B max.	Ø C ±0.15	Ø D ±0.15	Ø E ±0.2
UTP6104P / UTP6103PVDE	10	26.7	31.8	10.9	12.2	19.1
UTP6128P	12	31.4		13.8	15.1	
UTP61412P	14	34.5		17.0	18.3	
UTP61619P	16	37.8		19.9	21.5	
UTP61823P / UTP6187PVDEU	18	40.8	31.8 / 33.0	22.4	24.0	
UTP62028P	20	43.9	31.8	25.6	27.2	
UTP62235P	22	47.0		28.5	30.4	
UTP62448P	24	50.1		31.7	33.5	

## Cable plug for socket contacts (UTP6- - - -S)

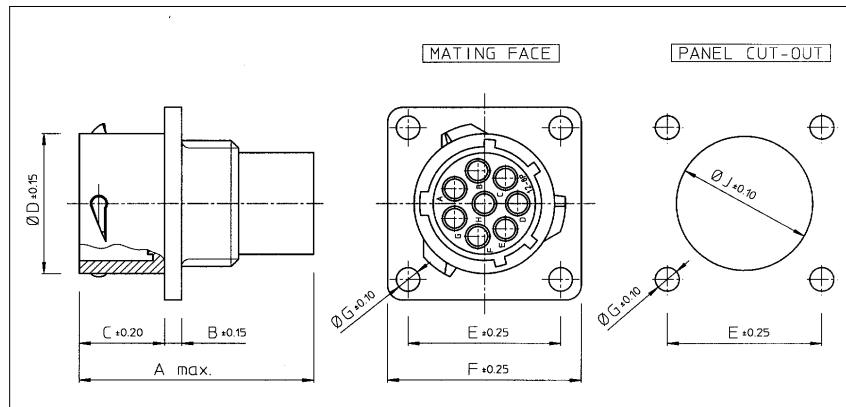


Part number	Shell size	Ø A ±0.2	B max.	Ø C ±0.15	Ø D ±0.15	Ø E ±0.2
UTP6104S / UTP6103SVDE	10	26.7	23.9 / 26.75	10.9	12.2	19.1
UTP6128S	12	31.4	23.9	13.8	15.1	
UTP61412S	14	34.5		17.0	18.3	
UTP61619S	16	37.8		19.9	21.5	
UTP61823S / UTP6187SVDEU	18	40.8	23.9 / 29.0	22.4	24.0	
UTP62028S	20	43.9	24.9	25.6	27.2	
UTP62235S	22	47.0		28.5	30.4	
UTP62448S	24	50.1		26.2	31.7	

# UTP - Full plastic Bantam



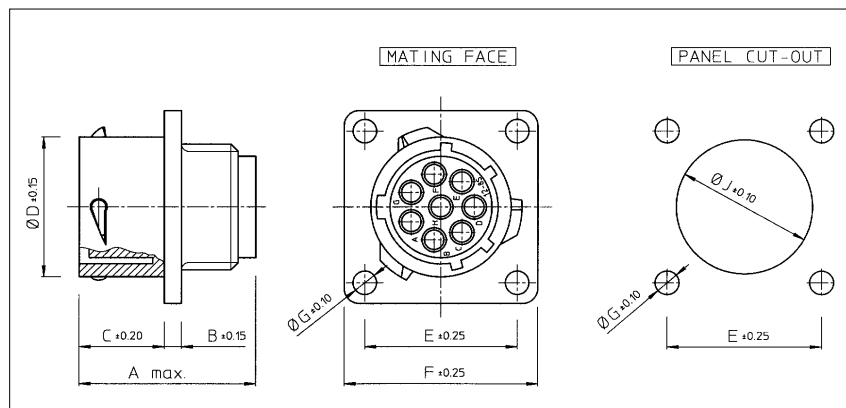
## Wall mounting receptacle for pin contacts (UTP0- - - -P)



Part number	Shell size	A max.	B ±0.15	C ±0.2	Ø D ±0.15	E ±0.25	F ±0.25	Ø G ±0.1	Ø J ±0.1
UTP0104P / UTP0103PVDE	10	31.7	2.3	11.3	15.0	18.3	23.8	3.2	15.1
UTP0128P	12				19.0	20.6	26.2		18.2
UTP01412P	14				22.2	23.0	28.6		21.4
UTP01619P	16				25.3	24.6	31.0		24.6
UTP01823P / UTP0187PVDEU	18	31.7/34.0	2.5	11.3/17.9	28.5	27.0	33.3	3.2	27.8
UTP02028P	20	14.5		31.7	29.4	36.5	30.9		
UTP02235P	22	33.3	3.5	15.3	34.9	31.8	39.7	3.9	34.1
UTP02448P	24				38.0	34.9	42.9		37.3

For waterprotected version add "H" behind "P" e.g. UTP01412PH

## Wall mounting receptacle for socket contacts (UTP0- - - -S)



Part number	Shell size	A max.	B ±0.15	C ±0.2	Ø D ±0.15	E ±0.25	F ±0.25	Ø G ±0.1	Ø J ±0.1
UTP0104S / UTP0103SVDE	10	24.3/27.6	2.3	11.3	15.0	18.3	23.8	3.2	15.1
UTP0128S	12	24.3			19.0	20.6	26.2		18.2
UTP01412S	14				22.2	23.0	28.6		21.4
UTP01619S	16				25.3	24.6	31.0		24.6
UTP01823S / UTP0187SVDEU	18	24.3/30.4	2.5	11.3/17.9	28.5	27.0	33.3	3.2	27.8
UTP02028S	20	27.0		14.5	31.7	29.4	36.5		30.9
UTP02235S	22	28.0	3.5	15.3	34.9	31.8	39.7	3.9	34.1
UTP02448S	24				38.0	34.9	42.9		37.3

For waterprotected version add "H" behind "S" e.g. UTP01412SH

UTP