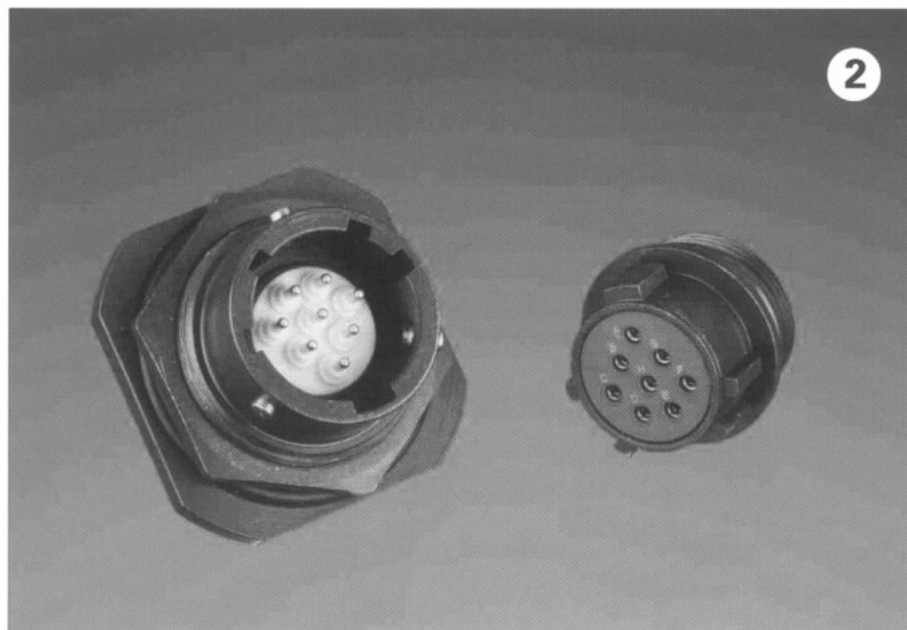


851 series 1 Specification V7/V8

Description

- Derived from 851 / MIL-C 26482 S1
- Shells in aluminium alloy with a larger thickness of the flange and reinforced keyways : high robustness
- Standard olive green cadmium plating
- Sealing level (IP67) enhanced with interfacial seal on receptacle and possibility of compound at the rear of the receptacle
- Exist today in 2 contact layouts : shell size 20 with 16 contacts and shell size 16 with 8 contacts
- Plugs delivered without coupling ring. no grommet, no backshell
- Not intermateable with MIL-C-26482 S1



Applications

- Seismic data acquisition units for land and/or shallow water survey

Technical features

Mechanical

- Durability : 500 cycles

Material

- Shell :Aluminium alloy
- Insert : Neoprene elastomer
- Interfacial seal : Silicone
- Contacts : Copper alloy with gold plating

Electrical

- Insulation resistance 5000 M Ω
- Dielectric withstanding voltage = 2300 V
- Contact resistance 3m Ω
- Current rating per contact size 16 contact = 13 Amps

Cable acceptance

- Wire gauge 14 Max

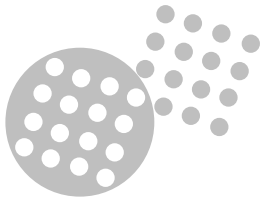
Environmental

- Working temperature : -55°C + 175°C
- Sealing : IP67
- Damp heat : 21 days
- Resistance to salt spray : 48 hours
- Resistance to chemicals in accordance with MIL-C-26482 S1

Product range

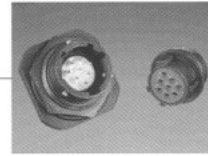
P/N	Description	Number of contacts	Shell size	Contact type	
85101E168P50V7	Free receptacle	8	16	Solder	Pin
85101E2016P50V7	Free receptacle	16	20	Solder	pin
85107A168P50V7	Jam nut receptacle	8	16	Solder	Pin
85107A2016P50V7	Jam nut receptacle	16	20	Solder	Pin
85106E168S50V8	Plug without coupling ring	8	16	Solder	Socket
85106E2016S50V8	Plug without coupling ring	16	20	Solder	Socket
85106E168S50V7	Plug with coupling ring	8	16	Solder	Socket
85106E2016S50V7	Plug with coupling ring	16	20	Solder	Socket
8501-0774-900	Coupling ring		16		
8501-0763-900	Coupling ring		20		

For further information, please consult the customer drawing and technical specifications

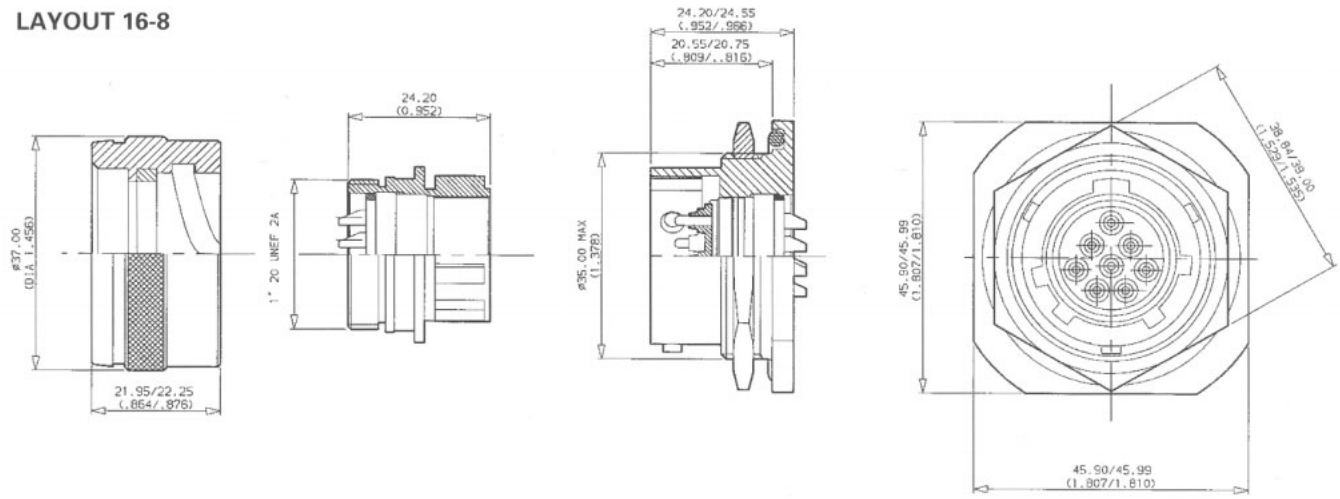


Geophysics

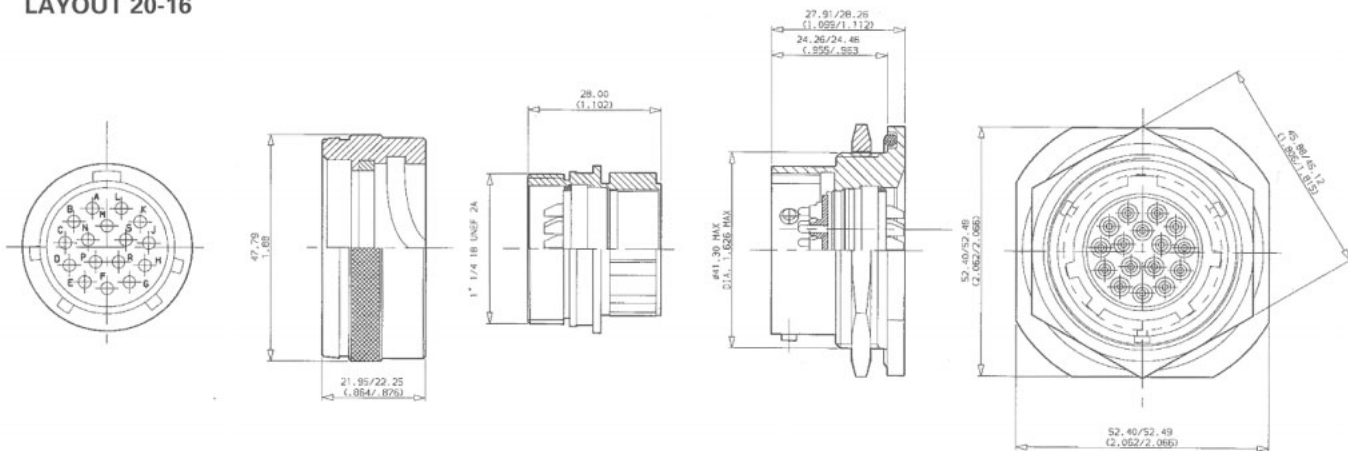
Contact layouts



LAYOUT 16-8



LAYOUT 20-16



Drawings, specifications and dimensions included in this data sheet are for reference only
FCI reserves the right to change the construction in order to increase quality and performance of its products.
This product is subject to several patents and patents pending.