

MINIATURE ELECTRONIC CONNECTORS

MIL-C-26482 TYPE HERMETICALLY
SEALED GLASS TO METAL
ELECTRONIC CONNECTORS

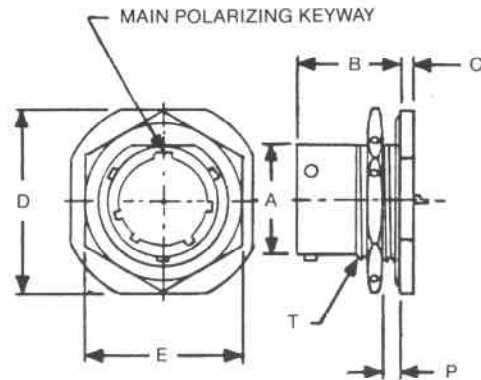
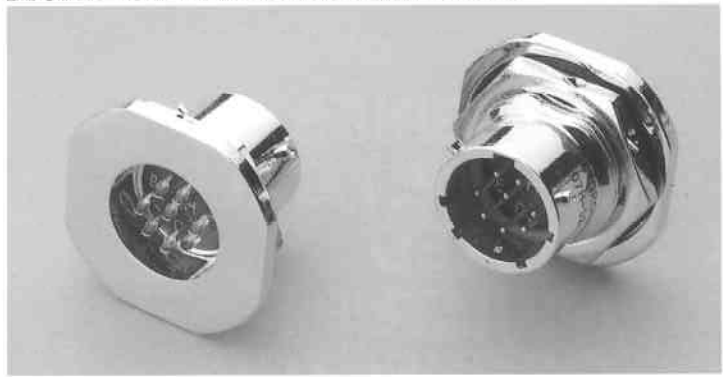
- Ready to Use • No Added Assembly
- Airtight • Rigid Contact Retention
- Indefinite Shelf Life • Resists Most Hostile Environmental Conditions

MIL STD 3113H Type (Solder Mount)
MIL STD 3112H Type (Flange Mount)
MIL STD 3114H Type (Jam Nut);
furnished with silicone "O" Ring to seal
against the mating plug shell.

FINISHES AVAILABLE: Standard is tin
plated body and contacts per MIL-T-10727.
Other finishes available on request.

OTHER SHELL SIZES, pin patterns and
insert position may be available. Special
modification and material can be supplied
to meet customer specifications. Standard
pin is solder cup type. Contact termina-
tion can be supplied in eyelet type and
thermocouple.

Our Connectors mate with any plug with
socket contacts which meet the dimen-
sional requirements of MIL-C-26482 and
the MIL STD 3116.

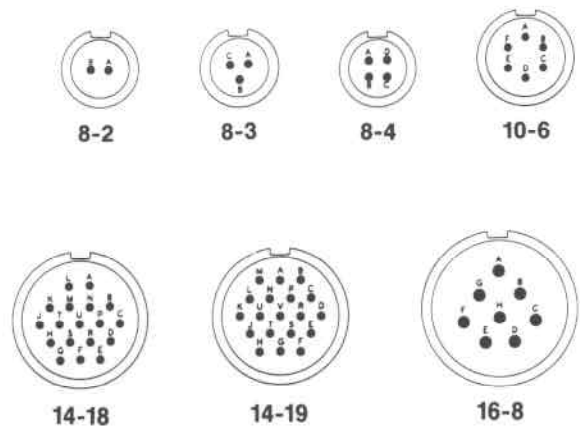


PART NO.	A DIA.	B	C	D MAX.	E HEX.	P PANEL THK.		T THREAD
	+ .001 - .005	+ .031 - .000	± .020		± .017	MIN.	MAX.	UNEQ-2A
DT07H-8-*PN	.473	.691	.117	.954	.750	.062	.125	.5625-24
DT07H-10-*PN	.590	.691	.117	1.078	.875	.062	.125	.6875-24
DT07H-12-*PN	.750	.691	.117	1.266	1.062	.062	.125	.875-20
DT07H-14-*PN	.875	.691	.117	1.391	1.188	.062	.125	1.000-20
DT07H-16-*PN	1.000	.691	.117	1.516	1.312	.062	.125	1.125-18
DT07H-18-*PN	1.125	.691	.117	1.641	1.438	.062	.125	1.250-18
DT07H-20-*PN	1.250	.879	.148	1.828	1.562	.062	.250	1.375-18
DT07H-22-*PN	1.375	.879	.148	1.954	1.688	.062	.250	1.500-18
DT07H-24-*PN	1.500	.912	.148	2.078	1.812	.062	.250	1.625-18



10660 EAST RUSH STREET
P.O. BOX 3805
SO. EL MONTE, CA 91733-3432
USA
PHONE (818) 579-7130
TWX 910-587-3436
FAX (818) 579-1936

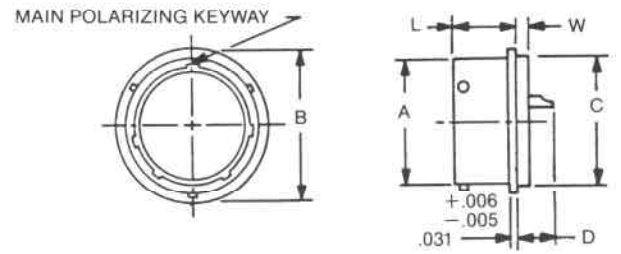
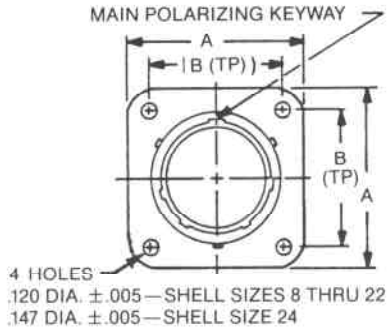
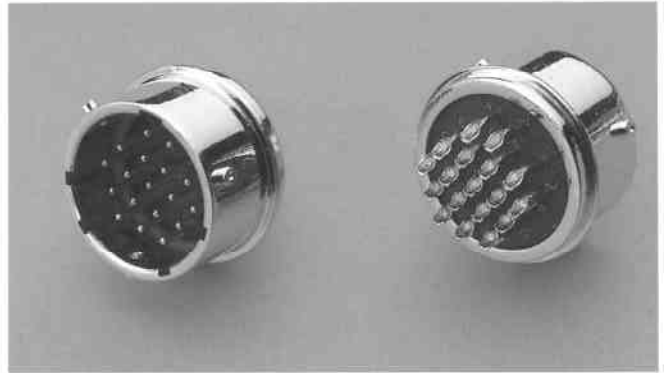
ENGAGING FACE PIN INSERTS



DT02H — FLANGE MOUNT CONNECTORS



DTIH — SOLDER MOUNT CONNECTORS



PART NO.	A	B	C	D	E	F	G	H
	±.016	(TP)	DIA. +.001 -.005	DIA. +.001 -.005	+.025 -.015	±.016	MAX.	±.016
DT02H-8-*PN	.812	.594	.473	.562	.494	.047	.344	.062
DT02H-10-*PN	.938	.719	.590	.672	.494	.047	.344	.062
DT02H-12-*PN	1.031	.812	.750	.781	.494	.047	.344	.062
DT02H-14-*PN	1.125	.906	.875	.906	.494	.047	.344	.062
DT02H-16-*PN	1.219	.969	1.000	1.031	.494	.047	.344	.062
DT02H-18-*PN	1.312	1.062	1.125	1.156	.494	.047	.344	.062
DT02H-20-*PN	1.438	1.156	1.250	1.250	.556	.047	.344	.094
DT02H-22-*PN	1.562	1.250	1.375	1.375	.556	.079	.377	.094
DT02H-24-*PN	1.688	1.375	1.500	1.500	.588	.079	.377	.094

PART NO.	A	B	C	D	L	W
	DIA. +.001 -.005	DIA. MAX.	DIA. +.001 -.005	MAX.	+.025 -.016	+.011 -.010
DTIH-8-*PN	.473	.636	.562	.386	.447	.094
DTIH-10-*PN	.590	.761	.672	.386	.447	.094
DTIH-12-*PN	.750	.855	.781	.386	.447	.094
DTIH-14-*PN	.875	.980	.906	.386	.447	.094
DTIH-16-*PN	1.000	1.105	1.031	.386	.447	.094
DTIH-18-*PN	1.125	1.229	1.156	.386	.447	.094
DTIH-20-*PN	1.250	1.323	1.250	.386	.509	.125
DTIH-22-*PN	1.375	1.449	1.375	.418	.509	.125
DTIH-24-*PN	1.500	1.574	1.500	.418	.542	.125

