

JVS Bronze Series



Applications

Navy vessels - Military - Merchant fleet -
Transportation - Oceanography -
Battle-field cables, shelters - Signalling -
Field equipments

Standards

MIL-C 38999 Series III
CECC 75 201.002



Description

The FCI JVS Marine Connector Series is approved to European Specification CECC 75 201.002, which is derived from USA Specification MIL-C 38999 Series III with which it remains intermountable and intermateable, but employs a rugged and high corrosion resistant housing in Nickel, Aluminum Bronze Alloy.

This design provides a high reliability connector with excellent salt water corrosion resistance characteristics and dry mate sealing down to 4m immersion. Contact arrangements with high density size 22D contacts giving up to 128 ways, through sizes 20, 16, 12 and size 8. This permits a wide range of electrical power contacts to be used or high speed Databus or Optical contacts to be used in the standard connector. Contacts are terminated by crimping and are inserted and removed using standard plastic tools inserted from the rear of the connectors. Hermetically Sealed styles having fixed solder contacts.

Characteristics

Mechanical

- Housing (Shell) : Marine bronze (removable Crimp Contact Styles)
Stainless Steel (Hermetically Sealed Styles)
- Finish : Natural
- Insulator : Thermosetting Plastic
- Grommet and Seals : Silicone Elastomer
- Contact material : Copper Alloy
- Contact plating : Gold over Nickel
- Endurance :
500 mating/unmating operations
- Vibration : 55 Hz to 2000 Hz 10g (6 hours)
- Vibration LF Marine :
25 Hz to 33 Hz, Amplitude 0.254 mm (0,57 g)
- Bump : 4000 Bumps severity 40 g
- Shock : half sine 300 g duration 3 msec & 120 gn high energy shock on a 2 Tone machine, simulating a non contact, underwater explosion
- Contact retention (mini force in N) :
Size 22D : 44 N Size 12 : 111 N
Size 20 : 67 N Size 8 : 111 N
Size 16 : 111 N

Electrical

- Voltage rating
Test Voltage (Vrms)

service rating	sea level	at 21000m
M	1300	800
N	1000	600
I	1800	1000
II	2300	1000

- Contact resistance : standard contacts
Size 22D : 5 mΩ Size 16 : 2 mΩ
Size 20 : 3 mΩ Size 12 : 1.5 mΩ
Size 8 : 5 mΩ
- Insulation resistance : ≥ 5000 MΩ (at 500 Vdc)
- Current rating
Size 22D : 5 A Size 16 : 13 A
Size 20 : 7.5 A Size 12 : 23 A
Size 8 : 46 A
- Shell continuity : 5 mΩ
- Shielding effectiveness :
100 - 500 MHz dB's with double screened cable fitted.

Accessory Styles	D,E,F,G,H,K,L,Q,R,T,V,X,Y
FREQ/MHz	0.1 1.0 10 100 500
Surface Transfer Impedance dB	≥110 ≥110 105 95 85

- Coaxial Contact #16 } for use with coaxial
- Coaxial Contact #12 } cable
- Triaxial Contact #8 Screened twisted pair cable bandwidth : 0-20 MHz
- voltage rating :
500 Vac maxi - 125 Vac at 21000 m
- voltage drop : inner and middle contact ≤ 55 mV at 1A
outer contact ≤ 75mV under 12A

Optical

For details of optical contacts see 8D section

Environmental

- Climatic Category 65/175/56
- Temperature range : -65 to +175°C
- Sealing : 39 KN/m² (3.90 m depth)
- Damp heat : 56 days duration
- Salt spray : 500 hours duration
- Endurance : 1000 hours electrical load and temperature

Resistance to fluids

Fluid	Type	Designation
Fuel		ISO 1817 Liquid B
Hydraulic	Petroleum Based	OM-15, NATO H-515, OX-30
Lubricating Oils	Naval Diesel	OMD-113, NATO 0-278
	Turbine	OX-38, NATO-149
Cleaning		Trichloroethane Isopropyl alcohol Methanol Ethanol
De-Icing	Isopropanol	AL-11, NATO S-737 AL-34, NATO S-1746

JVS Bronze Series



Ordering information

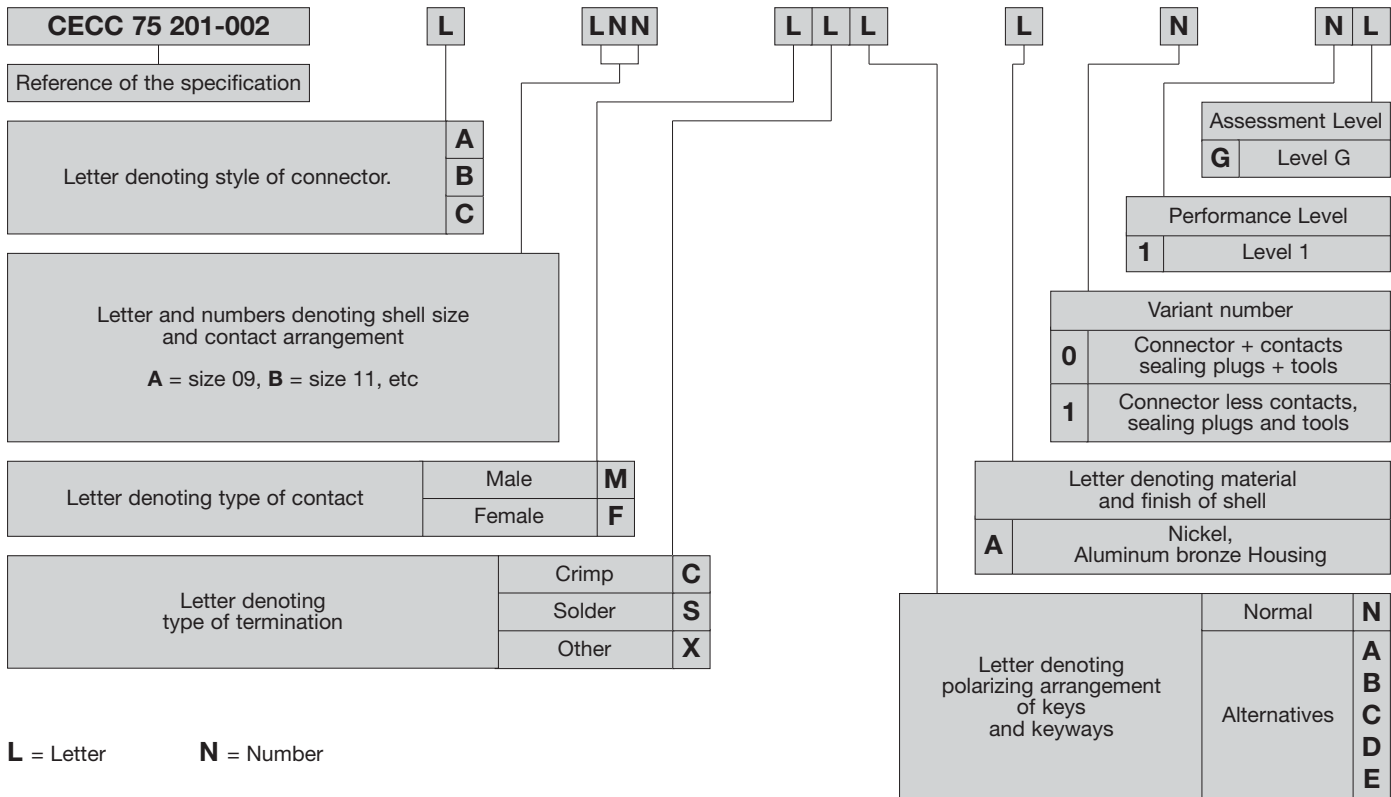
manufacturers identification	FCI JVS 16 A 11 35 P N - -
connector series	
shell style	16 - free connector complete with EMI/RFI grounding 07 - fixed connector - single hole jam nut fixing 00 - fixed connector - 4 hole square flange fixing 01 - round flange - (hermetically sealed only) 03* - bulkhead feed through fixed connector - 4 hole square flange fixing
	A - bronze housing material Y - stainless steel hermetically sealed
	- shell size
	- insert arrangement
	P - male (pin) contacts S - female (socket) contacts
housing (shell) key polarizations	N, A, B, C, D, E
non standard connector	CI - printed board mounting contacts MW - mini wire wrap contacts
modifier code number	

* for availability please consult our sales office

CECC 75 201.002 ordering codes

Orders calling for Certification to the CECC Specification will be supplied with items marked with the abbreviated specification Type Designation as below :

Connectors



Example type designation : Fixed connector with square flange mounting, contact arrangement 13-98, male crimp contacts, N polarization, aluminum bronze housing, connector plus contacts, sealing plugs and tools, performance level 1, Assessment level G.

Full type designation : CECC 75201 002 BC98 MCN A 0 1G

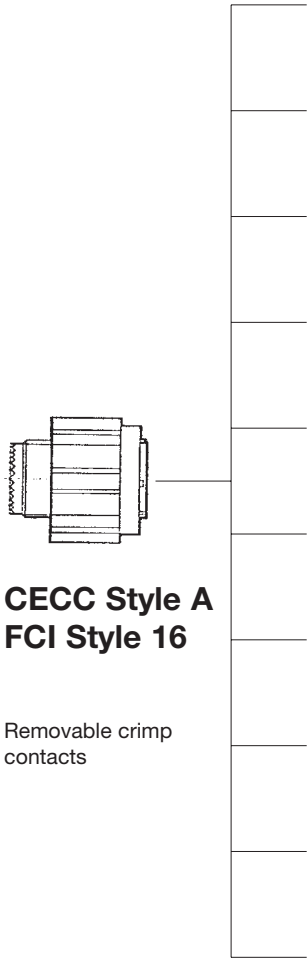
Abbreviated version : C 752 002 BC98 MCN A 0 1G

JVS Bronze Series



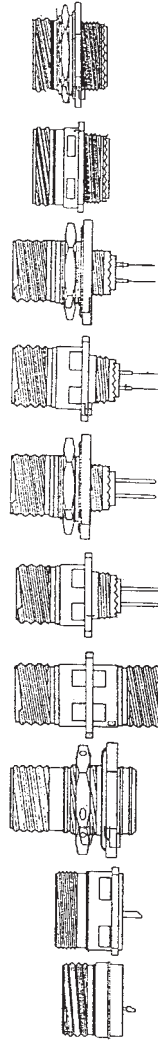
Connector selector guide

Free connector



CECC Style A
FCI Style 16

Removable crimp contacts



Fixed connectors

Jam nut mounting
removable crimp contacts

Square flange mounting
removable crimp contacts

Jam nut mounting
printed board solder contacts

Square flange mounting
printed boards solder contacts

Jam nut mounting
mini wire wrap contacts

Square flange mounting
mini wire wrap contacts

Square flange mounting
bulkhead feed through receptacle

Jam nut mounting
hermetic solder contacts

Square flange mounting
hermetic solder contacts

Round flange solder mounting
hermetic solder contacts

CECC STYLE C
FCI STYLE 07

CECC STYLE B
FCI STYLE 00

CECC STYLE N/A
FCI STYLE 07CI

CECC STYLE N/A
FCI STYLE 00CI

CECC STYLE N/A
FCI STYLE 07MW

CECC STYLE N/A
FCI STYLE 00MW

CECC STYLE N/A
FCI STYLE 03

CECC STYLE N/A
FCI STYLE 07 Y

CECC STYLE N/A
FCI STYLE 00Y

CECC STYLE N/A
FCI STYLE 01Y

Note : Hermetically sealed fixed connectors have stainless steel shells.

Contact layouts

Shell sizes and insert arrangements - viewed from front face of male insulator

09	09-35		09-98			
	6#22D	Service M	3#20	Service I		
11	11-35		11-98		11-03	
	13#22D	Service M	6#20	Service I	1#12	Service II
13	13-35		13-98			
	22#22D	Service M	10#20	Service I		

JVS Bronze Series



Shell size 15	15-35 37#22D Service M	15-19 19#20 Service I	15-05 5#16 Service II	15-97 8#20 4#16 Service I	
	17-35 55#22D Service M	17-26 26#20 Service I	17-06 6#12 Service I	17-08 8#16 Service II	17-99 2#16 21#20 Service I
Shell size 19	19-35 66#22D Service M	19-32 32#20 Service I	19-11 11#16 Service II		
	21-35 79#22D Service M	21-41 41#20 Service I	21-16 16#16 Service II	21-11 11#12 Service II	21-39 37#20 2#16 Service I
Shell size 21	21-75 4#8 Service I	21-48* 4#8 Service I			
	23-35 100#22D Service M	23-53 53#20 Service I	23-21 21#16 Service II		
Shell size 25	25-35 128#22D Service M	25-61 61#20 Service I	25-46 4#16 40#20 2#8 Service I	25-19 19#12 Service I	
	25-29 29#16 Service I				

* For use with special power contacts, please consult our sales office

Key to contact sizes

- size 22 contacts size 12 contacts
- size 20 contacts size 8 contacts
- size 16 contacts

JVS Bronze Series

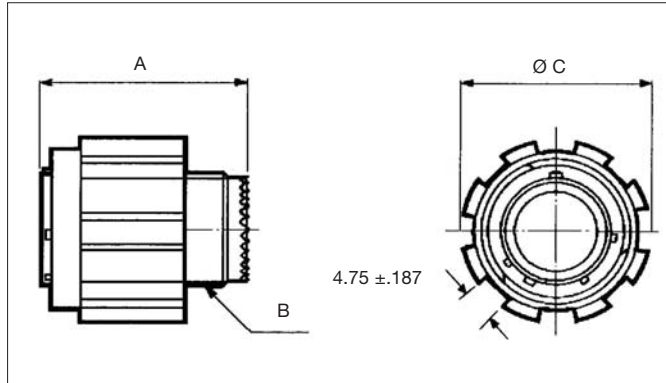


Dimensions

Free connector - Style 16

CECC style A
FCI style 16

Example of FCI order code :
JVS 16A 11 35PN

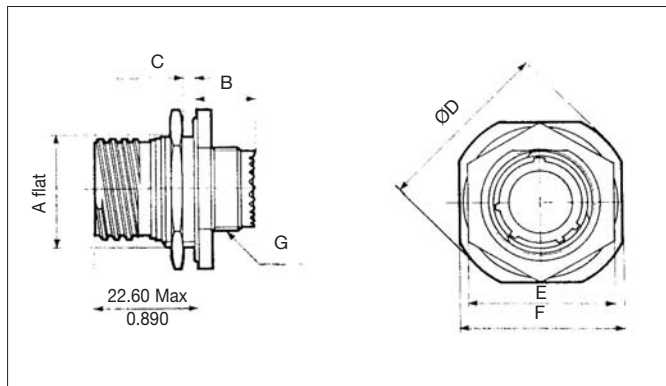


shell size	coupling nut Qty of slots	A Max	B Thread	C Max
09	8	31.00 1.220	M12x 1-6g	21.1 .831
11	8	31.00 1.220	M15 x 1-6g	23.80 .937
13	10	31.00 1.220	M18 x 1-6g	28.20 1.110
15	10	31.00 1.220	M22 x 1-6g	31.40 1.236
17	12	31.00 1.220	M25 x 1-6g	36.50 1.437
19	12	31.00 1.220	M28 x 1-6g	39.30 1.547
21	16	31.00 1.220	M31 x 1-6g	42.50 1.673
23	16	31.00 1.220	M34 x 1-6g	45.30 1.783
25	18	31.00 1.220	M37 x 1-6g	48.40 1.906

Fixed connector - Round flange single hole mounting - Style 07

CECC style C
FCI style 07

Example of FCI order code :
JVS 07A 11 35PN



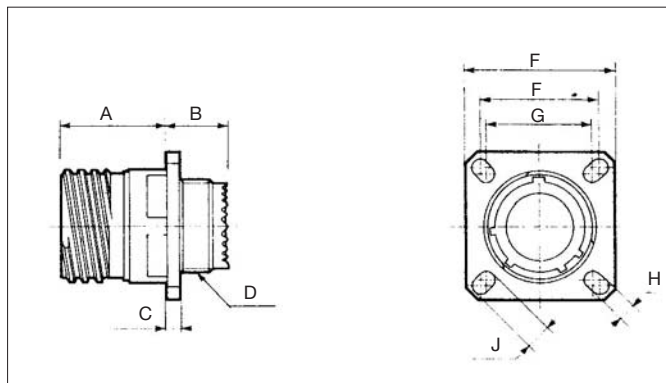
shell size	A	B Max	C Max	D Max	F	G thread	H mounting thread*
09	16.53 .651	9.90 .390	30.50 1.201	24.00 .945	27.00 1.063	M12x1 -6g	M17x1
11	19.07 .751	9.90 .390	35.20 1.386	27.00 1.063	31.80 1.252	M15x1-6g	M20x1
13	23.82 .938	9.90 .390	38.40 1.512	32.00 1.260	34.90 1.374	M18x 1 -6g	M25x 1
15	26.97 1.062	9.90 .390	41.60 1.638	36.00 1.417	38.10 1.500	M22x1-6g	M28x1
17	30.15 1.187	9.90 .390	44.80 1.764	37.00 1.457	41.30 1.626	M25x1-6g	M32x1
19	33.32 1.312	9.90 .390	49.50 1.949	41.00 1.614	46.00 1.811	M28x 1 6g	M35x 1
21	36.50 1.437	9.90 .390	52.70 2.075	46.00 1.811	49.20 1.937	M31 x1 -6g	M38x1
23	39.67 1.562	9.90 .390	55.90 2.201	50.00 1.969	52.40 2.063	M34x1 -6g	M41 x1
25	42.85 1.687	9.90 .390	59.00 2.323	50.00 1.969	55.60 2.189	M37x1 -6g	M44x1

* Metric class 6g

Fixed connector - Square flange 4 hole fixing

CECC style B
FCI style 00

Example of FCI order code :
JVS 00A 11 35 PN

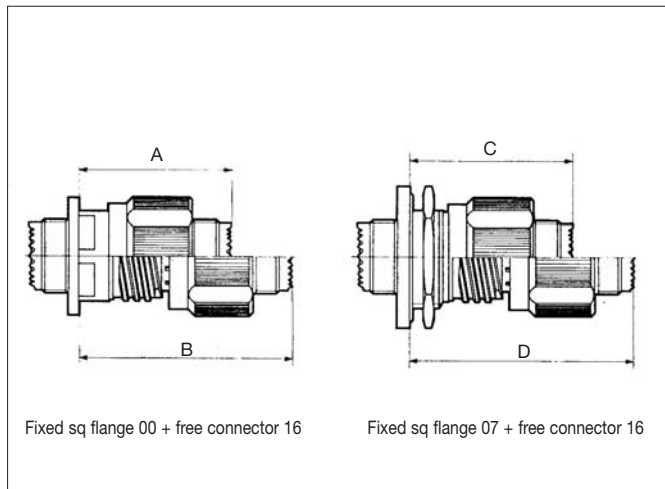


shell size	A Max	B Max	C Max	D Max	E	F	G	H	J
09	20.10 .791	12.00 .472	2.50 .098	M12x1 -6g	23.80 .937	18.26 .719	15.09 .594	3.25 .128	5.49 .216
11	20.10 .791	12.00 .472	2.50 .098	M15x1-6g	26.20 1.031	20.62 .812	18.26 .719	3.25 .128	4.93 .194
13	20.10 .791	12.00 .472	2.50 .098	M18x1 -6g	28.60 1.126	23.01 .906	20.62 .812	3.25 .128	4.93 .194
15	20.10 .791	12.00 .472	2.50 .098	M22x1- 6g	31.00 1.220	24.61 .969	23.01 .906	3.25 .128	4.93 .194
17	20.10 .791	12.00 .472	2.50 .098	M25x1- 6g	33.30 1.311	26.97 1.062	24.61 .969	3.25 .128	4.93 .194
19	20.10 .791	12.00 .472	2.50 .098	M28x1- 6g	36.50 1.437	29.36 1.156	26.97 1.062	3.25 .128	4.93 .194
21	20.10 .791	12.00 .472	3.20 .126	M31 x1 -6g	39.70 1.563	31.75 1.250	29.36 1.156	3.25 .128	4.93 .194
23	20.10 .791	12.00 .472	3.20 .126	M34x 1 -6g	42.90 1.689	34.93 1.375	31.75 1.250	3.91 .154	6.15 .242
25	20.10 .791	12.00 .472	3.20 .126	M37x1- 6g	46.00 1.811	38.10 1.500	34.93 1.375	3.91 .154	6.15 .242

JVS Bronze Series



Mated connector



shell size	A Max	B Max	C Max	D Max
09	37.00 1.457	52.30 2.059	38.30 1.508	53.60 2.110
11	37.00 1.457	52.30 2.059	38.30 1.508	53.60 2.110
13	37.00 1.457	52.30 2.059	38.50 1.516	53.80 2.118
15	37.00 1.457	52.30 2.059	38.50 1.516	53.80 2.118
17	37.00 1.457	52.30 2.059	38.50 1.516	53.80 2.118
19	37.00 1.457	52.30 2.059	38.50 1.516	53.80 2.118
21	37.00 1.457	52.30 2.059	38.50 1.516	53.80 2.118
23	37.00 1.457	52.30 2.059	38.50 1.516	53.80 2.118
25	37.00 1.457	52.30 2.059	38.50 1.516	53.80 2.118

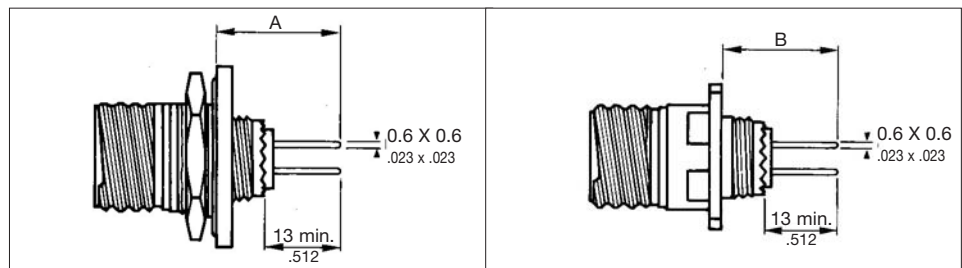
Fixed connectors with wire wrap contacts

CECC style N/A
FCI style 07....MW

Example of FCI order code :
JVS 07 A0 9-35 PN NW

CECC style N/A
FCI style 00....MW

- Available for all arrangements with contacts size 20 & 22D
- Contacts can be male or female
- Connectors are supplied with contacts fitted



Contacts size 20 and 22D

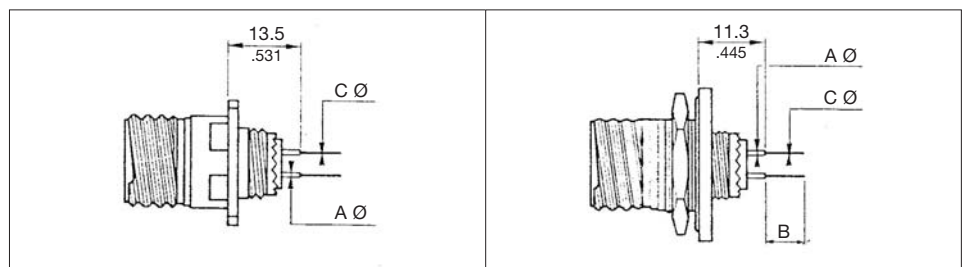
dimensions of wrapping post					Wires			type of contacts	A Max	B Max
diagonal		square	length min	basic position min	AWG gauge	conductor (mm)	external Ø (mm)			
min	Max									
0.78 .031	0.864 .034	0.6x0.6 .023x.023	12 .472	3 .118	30	0.25 .010	0.58 .023	MW size 22D	24 .945	23.75 .935
					28	0.32 .013	0.76 .030			
					26	0.40 .016	0.78 .031	MW size 20	24 .945	23.75 .935

Fixed connectors with printed board solder termination

CECC style N/A
FCI style 07....CI

CECC style N/A
FCI style 00....CI

Example of FCI order code :
JVS 00 A 11-35 PN CI



types of contacts	A Dia.	B	Ø C
CI size 16	2.2 .0866	5 .197	1.15 .045
CI size 20	1.5 .0591	5 .197	0.7 .028
CI size 22D	1 .0394	5 .197	0.5 .020
LI size 22 D	1 .0394	8.5 .335	0.7 .028

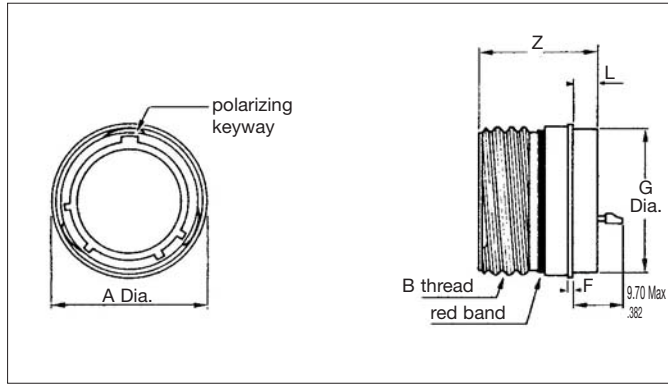
JVS Bronze Series



Hermetically sealed receptacle, solder mounting

CECC style N/A
FCI style 01Y

Example of FCI order code :
JVS 01Y 13 35 PN

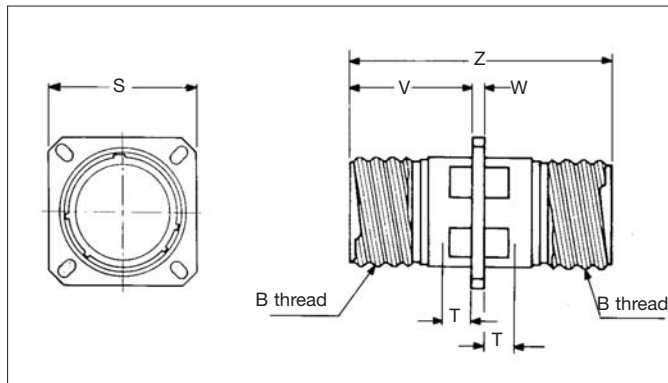


shell size	B thread class 2 A	V Max	T Max	S ±0.30	W Max	Z Max
09	6250-0 1P-0 3L-TS	20.10 .791	5.94 .234	23.80 .937	2.50 .098	42.70 1.681
11	7500-0 1P-0 3L-TS	20.10 .791	5.94 .234	26.20 1.031	2.50 .098	42.70 1.681
13	8750-0 1P-0 3L-TS	20.10 .791	5.94 .234	28.60 1.126	2.50 .098	42.70 1.681
15	1 0000-0 1P-0 3L-TS	20.10 .791	5.94 .234	31.00 1.220	2.50 .098	42.70 1.681
17	1 1875-0 1P-0 3L-TS	20.10 .791	5.94 .234	33.30 1.311	2.50 .098	42.70 1.681
19	1 2500-0 1P-0 3L-TS	20.10 .791	5.94 .234	36.50 1.437	2.50 .098	42.70 1.681
21	1 3750-0 1P-0 3L-TS	20.10 .791	5.18 .204	39.70 1.563	3.20 .126	43.40 1.709
23	1 5000-0 1P-0 3L-TS	20.10 .791	5.18 .204	42.90 1.689	3.20 .126	43.40 1.709
25	16250-0 1P-0 3L-TS	20.10 .791	5.18 .204	46.00 1.811	3.20 .126	43.40 1.709

Square flange mounting - bulkhead feed through receptacle

CECC style N/A
FCI style 03

For availability please
consult our sales office

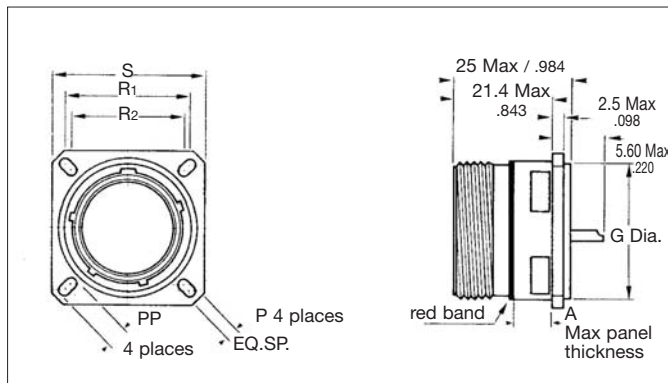


shell size	A dia Max	metric B thread class 2 A	G dia Max	F Max	L Max	Z Max
09	19.40 .764	6250-0 1P-0 3L-TS	17.10 .673	1.20 .047	5.10 .201	23.80 .937
11	21.80 .858	7500-0 1P-0 3L-TS	19.90 .783	1.20 .047	5.10 .201	23.80 .937
13	24.90 .980	8750-0 1P-0 3L-TS	23.10 .909	1.20 .047	5.10 .201	23.80 .937
15	28.10 1.106	1 0000-0 1P-0 3L-TS	26.20 1.031	1.20 .047	5.10 .201	23.80 .937
17	31.30 1.232	1 1875-0 1P-0 3L-TS	29.40 1.157	1.20 .047	5.10 .201	23.80 .937
19	33.60 1.323	1 2500-0 1P-0 3L-TS	31.80 1.252	1.20 .047	5.10 .201	23.80 .937
21	36.80 1.449	1 3750-0 1P-0 3L-TS	35.00 1.378	1.20 .047	5.10 .201	23.80 .937
23	40.00 1.575	1 5000-0 1P-0 3L-TS	38.20 1.504	1.20 .047	5.90 .232	24.60 .969
25	43.20 1.701	1 6250-0 1P-0 3L-TS	41.30 1.626	1.20 .047	5.90 .232	24.60 .969

Hermetically sealed receptacles, square flange mounting

CECC style N/A
FCI style 00Y

Example of FCI order code :
JVS 00Y 23 35 PN



shell size	A Max	G dia Max	R1	R2	S ±0.30	P	PP
09	5.94 .234	13.77 .542	18.26 .719	15.09 .594	23.80 .937	3.25 .128	5.49 .216
11	5.94 .234	16.99 .669	20.62 .812	18.26 .719	26.20 1.031	3.25 .128	4.93 .194
13	5.94 .234	20.32 .800	23.01 .906	20.62 .812	28.60 1.126	3.25 .128	4.93 .194
15	5.94 .234	23.24 .915	24.61 .969	23.01 .906	31.00 1.220	3.25 .128	4.93 .194
17	5.94 .234	26.29 1.035	26.97 1.062	24.61 .969	33.30 1.311	3.25 .128	4.93 .194
19	5.94 .234	28.27 1.113	29.36 1.156	26.97 1.062	36.50 1.437	3.25 .128	4.93 .194
21	5.18 .204	31.24 1.230	31.75 1.250	29.36 1.156	39.70 1.563	3.25 .128	4.93 .194
23	5.18 .204	34.95 1.376	34.92 1.375	31.75 1.250	42.90 1.689	3.91 .154	6.15 .242
25	5.18 .204	37.77 1.487	38.10 1.500	34.93 1.375	46.00 1.811	3.91 .154	6.15 .242

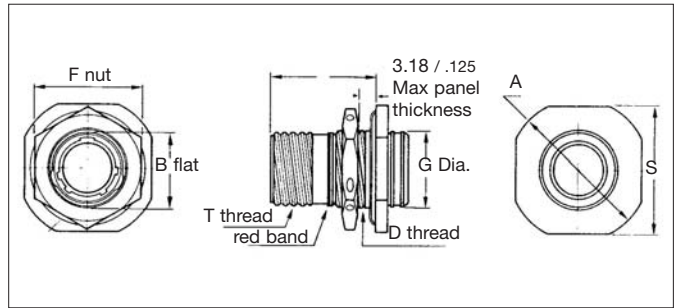
JVS Bronze Series



Hermetically sealed receptacle, jam nut mounting

CECC style N/A
FCI style 07Y

Example of FCI order code :
JVS 07Y 17 26 PN



shell size	A dia Max	V	B	D Thread	F	S	G	T Thread
09	30.50 .1201	22.10 .870	16.63 .655	M 17 x 1.6g0 100R	24.00 .945	27.40 1.079	16.60 .654	6250-0 1 P-03L-TS
11	35.20 1.386	22.10 .870	19.17 .755	M20 x 1.6g0 100R	27.00 1.063	32.20 1.268	19.70 .776	7500-0 1 P-03 L-TS
13	38.40 1.512	22.30 .878	23.92 .942	M25 x 1.6g0 100R	32.00 1.260	35.30 1.390	23.00 .906	8750-0 1 P-03L-TS
15	41.60 1.638	22.30 .878	27.07 1.066	M28x 1.6g0 100R	36.00 1.417	38.50 1.516	26.20 1.031	1 0000-0 1P-03L-TS
17	44.80 1.764	22.30 .878	30.25 1.191	M32x 1.6g0 100R	37.00 1.457	41.70 1.642	29.30 1.154	1 1875-0 1P-03L-TS
19	49.50 1.949	22.30 .878	33.40 1.315	M35 x 1.6g0 100R	41.00 1.614	46.40 1.827	32.50 1.280	1 2500-0 1 P-03L-TS
21	52.70 2.075	22.30 .878	36.60 1.441	M38 x 1.6g0 100R	46.00 1.811	49.60 1.953	35.70 1.406	1 3750-0 1 P-03L-TS
23	55.90 2.201	22.30 .878	39.77 1.566	M41 x 1.6g0 100R	50.00 1.969	52.80 2.079	38.90 1.531	1 5000-0 1 P-03L-TS
25	59.00 2.323	22.30 .878	42.95 1.691	M44 x 1.6g0 100R	50.00 1.969	56.00 2.205	42.00 1.654	1 6250-0 1 P-03L-TS

Panel cut-out

CECC style B
FCI style 00

Square flange mounting

Rear of panel mounting and front of panel for style 03

Front of panel mounting

CECC style C
FCI style 07

Jam nut mounting

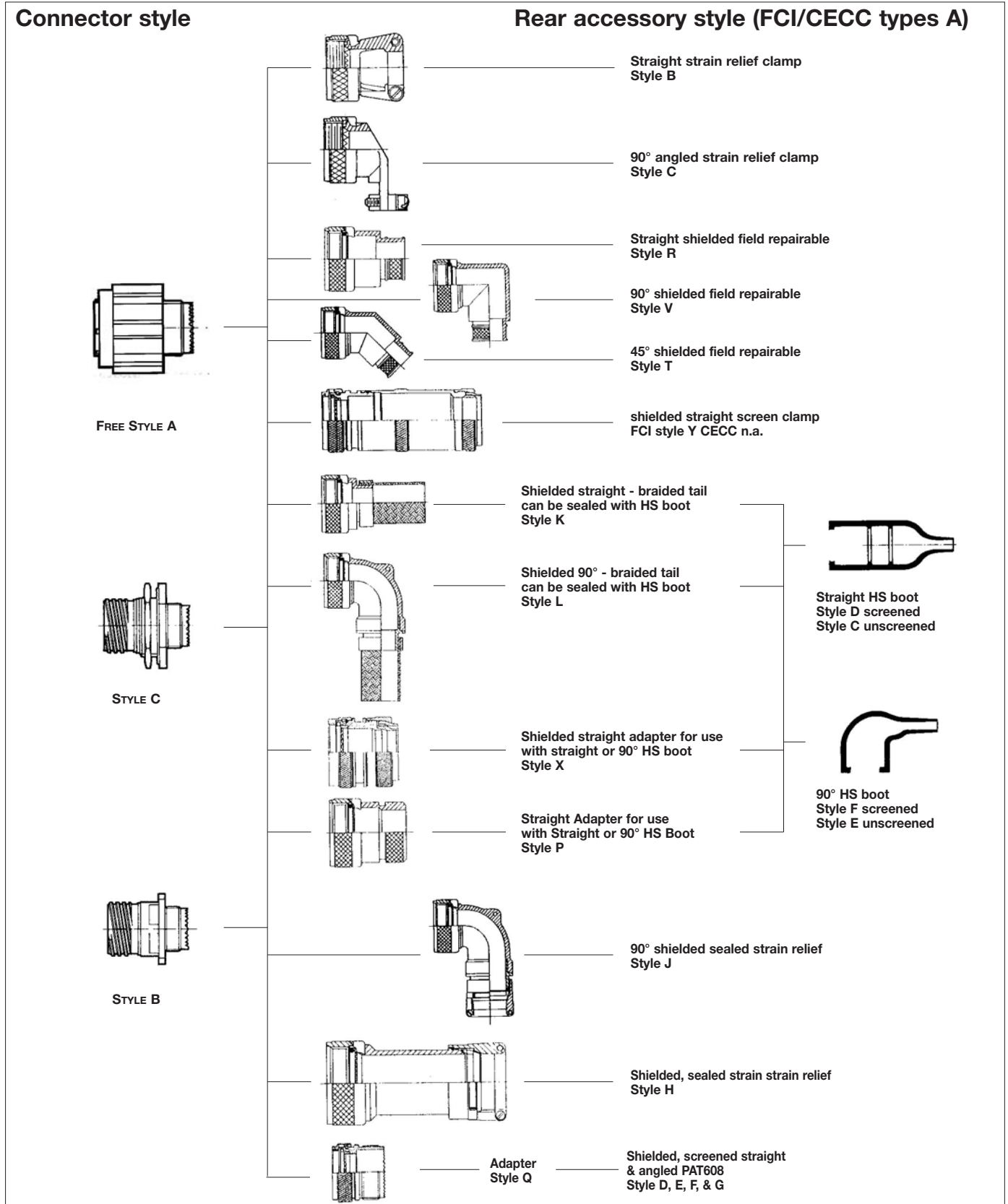
shell size	09	11	13	15	17	19	21	23	25
A	18.26 .719	20.62 .812	23.01 .906	24.61 .969	26.97 1.062	29.36 1.156	31.75 1.250	34.93 1.375	38.10 1.500
B min	16.66 .656	20.22 .796	23.42 .922	26.59 1.047	30.96 1.219	32.94 1.297	36.12 1.422	39.29 1.547	42.47 1.672
C	3.25 .128	3.25 .128	3.25 .128	3.25 .128	3.25 .128	3.25 .128	3.25 .128	3.91 .154	3.91 .154
D min	13.11 .516	15.88 .625	19.05 .750	23.01 .906	25.81 1.016	28.98 1.141	32.16 1.266	34.93 1.375	37.69 1.484
E	17.70 .697	20.88 .822	25.58 1.007	28.80 1.134	31.98 1.259	35.15 1.384	38.28 1.507	41.50 1.634	44.68 1.759
F	16.99 .669	19.53 .769	24.26 .955	27.53 1.084	30.68 1.208	33.86 1.333	37.06 1.459	40.24 1.584	43.41 1.709

JVS Bronze Series



Accessories

Rear accessory selector guide



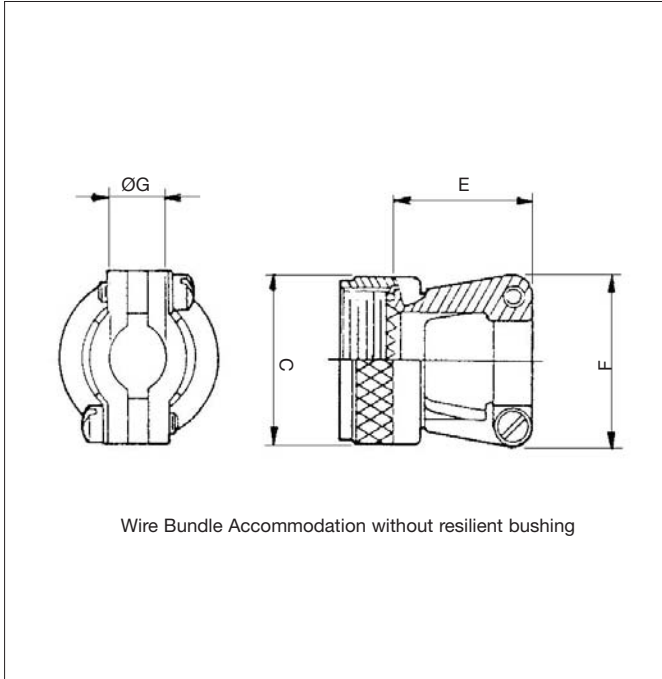
JVS Bronze Series



Straight strain relief clamp

CECC style B
FCI style B

Example of FCI order code :
JVS A 11 B00 A

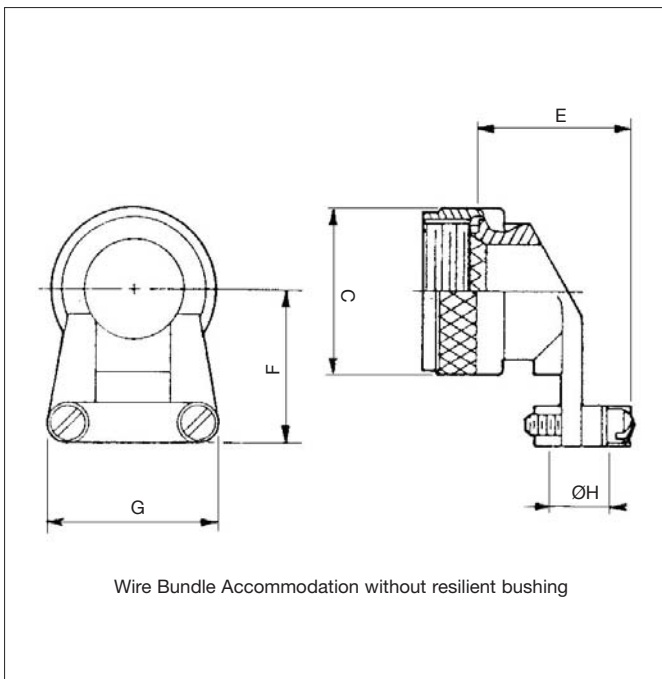


shell size	C Max	F Max	G		E Max	Mass Max
			min	Max		
09	21.80 .858	21.60 .850	2.49 .098	5.94 .234	23.10 .909	49
11	25.00 .984	22.90 .902	3.87 .152	5.94 .234	23.10 .909	55
13	29.40 1.157	27.90 1.098	4.83 .190	8.33 .328	25.70 1.012	66
15	32.50 1.280	29.20 1.150	6.60 .260	11.61 .457	26.90 1.059	82
17	35.70 1.406	33.00 1.299	7.19 .283	16.10 .634	29.50 1.161	88
19	34.50 1.358	38.10 1.500	8.26 .325	15.60 .614	35.80 1.409	115
21	41.70 1.642	40.60 1.598	8.71 .343	17.73 .698	38.40 1.512	120
23	44.90 1.768	43.20 1.701	9.68 .381	20.90 .823	42.20 1.661	152
25	48.00 1.890	45.70 1.799	10.62 .418	21.66 .853	44.70 1.760	164

90° angled strain relief clamp

CECC style C
FCI style C

Example of FCI order code :
JVS A 13 C00 A



shell size	C Max	F Max	G	H		E Max	Mass Max
				min	Max		
09	21.80 .858	25.40 1.000	21.60 .850	2.49 .098	5.94 .234	25.40 1.000	57
11	25.00 .984	27.90 1.098	22.90 .902	3.87 .152	5.94 .234	25.70 1.012	65
13	29.40 1.157	27.90 1.098	27.90 1.098	4.83 .190	8.33 .328	30.70 1.209	74
15	32.50 1.280	31.80 1.252	29.20 1.150	6.60 .260	11.61 .457	32.00 1.260	95
17	35.70 1.406	33.00 1.299	33.00 1.299	7.19 .283	16.10 .634	35.80 1.409	101
19	38.50 1.516	34.30 1.350	38.10 1.500	8.26 .325	15.60 .614	38.40 1.512	116
21	41.70 1.642	40.60 1.598	40.60 1.598	8.71 .343	17.73 .698	42.20 1.661	137
23	44.90 1.768	44.50 1.752	43.20 1.701	9.68 .381	20.90 .823	44.70 1.760	175
25	48.00 1.890	49.50 1.949	45.70 1.799	10.62 .418	21.67 .853	48.50 1.909	184

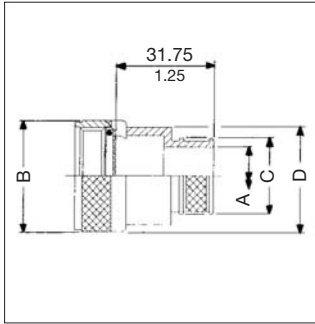
JVS Bronze Series



Straight shielded field repairable - for use with metal clamp bands

CECC style R
FCI style R

Example of FCI order code :
JVS A 09 R00 A



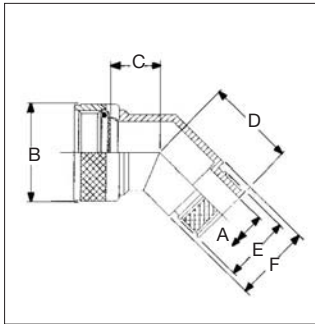
shell size	B Ø	Max cable style	Mass Max style	
			R	S
			09	17.48 .688
11	20.62 .812	C	66	73
13	23.83 .938	E	79	87
15	26.97 1.062	G	98	108
17	30.18 1.188	J	106	117
19	33.32 1.312	K	138	152
21	36.53 1.438	M	154	169
23	39.67 1.562	P	183	201
25	42.88 1.688	R	197	217

cable outlet size	A Ø Max	cable accommodation range	
		min	Max
A	14.00 .551	4.70 .185	5.90 .232
B	15.50 .610	6.00 .236	7.30 .287
C	17.10 .673	7.00 .276	9.00 .354
D	18.70 .736	9.00 .354	10.50 .413
E	20.30 .799	10.00 .394	12.00 .472
F	21.90 .862	11.50 .453	13.50 .531
G	23.50 .925	13.00 .512	15.00 .591
H	25.10 .988	10.00 .394	16.60 .654
J	26.70 1.051	16.00 .630	18.20 .717
K	28.20 1.110	18.00 .709	19.70 .776
L	29.80 1.173	19.00 .748	21.50 .846
M	31.40 1.236	20.00 .787	23.00 .906
N	33.00 1.299	22.50 .886	24.50 .965
P	34.60 1.362	24.00 .945	26.20 1.031
Q	36.20 1.425	26.00 1.024	28.00 1.102
R	37.80 1.488	27.00 1.063	29.50 1.161

45° shielded field repairable - for use with metal clamp bands

CECC style T
FCI style T

Example of FCI order code :
JVS A 15 T00 A



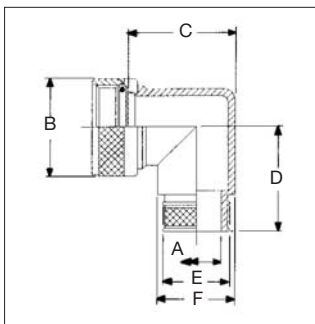
shell size	B Ø	C	D	E	F	Max cable style	Mass Max style	
							T	U
							09	17.48 .688
11	20.62 .812	17.98 .708	28.68 1.129	23.57 .928	22.23 .875	C	69	77
13	23.83 .938	18.62 .733	29.34 1.155	28.32 1.115	25.40 1.000	E	83	91
15	26.97 1.062	19.28 .759	30.00 1.181	31.50 1.240	28.58 1.125	G	103	113
17	30.18 1.188	19.94 .785	30.66 1.207	34.67 1.365	31.75 1.250	J	111	123
19	33.32 1.312	20.60 .811	31.32 1.233	37.85 1.490	34.93 1.375	K	145	160
21	36.53 1.438	21.62 .851	31.98 1.259	41.02 1.615	38.10 1.500	M	177	177
23	39.67 1.562	21.92 .863	32.64 1.285	44.20 1.740	41.28 1.625	P	211	211
25	42.88 1.688	22.07 .869	33.30 1.311	47.37 1.865	44.45 1.750	R	228	228

cable outlet size	A Ø Max	cable accommodation range	
		min	Max
A	14.00 .551	4.70 .185	5.90 .232
B	15.50 .610	6.00 .236	7.30 .287
C	17.10 .673	7.00 .276	9.00 .354
D	18.70 .736	9.00 .354	10.50 .413
E	20.30 .799	10.00 .394	12.00 .472
F	21.90 .862	11.50 .453	13.50 .531
G	23.50 .925	13.00 .512	15.00 .591
H	25.10 .988	10.00 .394	16.60 .654
J	26.70 1.051	16.00 .630	18.20 .717
K	28.20 1.110	18.00 .709	19.70 .776
L	29.80 1.173	19.00 .748	21.50 .846
M	31.40 1.236	20.00 .787	23.00 .906
N	33.00 1.299	22.50 .886	24.50 .965
P	34.60 1.362	24.00 .945	26.20 1.031
Q	36.20 1.425	26.00 1.024	28.00 1.102
R	37.80 1.488	27.00 1.063	29.50 1.161

90° shielded field repairable - for use with metal clamp bands

CECC style V
FCI style V

Example of FCI order code :
JVS A 19 V00 A



shell size	B Ø	C	D	E	F	Max cable style	Mass Max style	
							V	W
							09	17.48 .688
11	20.62 .812	23.83 .938	33.32 1.312	23.57 .928	22.23 .875	C	73	80
13	23.83 .938	26.97 1.062	34.93 1.375	28.32 1.115	25.40 1.000	E	87	96
15	26.97 1.062	30.18 1.188	36.53 1.438	31.50 1.240	28.58 1.125	G	108	119
17	30.18 1.188	33.32 1.312	38.10 1.500	34.67 1.365	31.75 1.250	J	117	129
19	33.32 1.312	34.93 1.375	39.67 1.562	37.85 1.490	34.93 1.375	K	152	167
21	36.53 1.438	38.10 1.500	41.28 1.625	41.02 1.615	38.10 1.500	M	169	186
23	39.67 1.562	41.28 1.625	42.88 1.688	44.20 1.740	41.28 1.625	P	201	221
25	42.88 1.688	42.88 1.688	44.45 1.750	47.37 1.865	44.45 1.750	R	217	239

cable outlet size	A Ø Max	cable accommodation range	
		min	Max
A	14.00 .551	4.70 .185	5.90 .232
B	15.50 .610	6.00 .236	7.30 .287
C	17.10 .673	7.00 .276	9.00 .354
D	18.70 .736	9.00 .354	10.50 .413
E	20.30 .799	10.00 .394	12.00 .472
F	21.90 .862	11.50 .453	13.50 .531
G	23.50 .925	13.00 .512	15.00 .591
H	25.10 .988	10.00 .394	16.60 .654
J	26.70 1.051	16.00 .630	18.20 .717
K	28.20 1.110	18.00 .709	19.70 .776
L	29.80 1.173	19.00 .748	21.50 .846
M	31.40 1.236	20.00 .787	23.00 .906
N	33.00 1.299	22.50 .886	24.50 .965
P	34.60 1.362	24.00 .945	26.20 1.031
Q	36.20 1.425	26.00 1.024	28.00 1.102
R	37.80 1.488	27.00 1.063	29.50 1.161

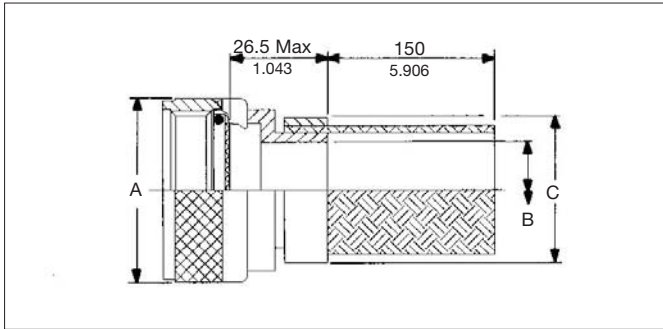
JVS Bronze Series



Straight shielded, braided tail

CECC style K
FCI style K

Example of FCI order code :
JVS A 11 K00 A

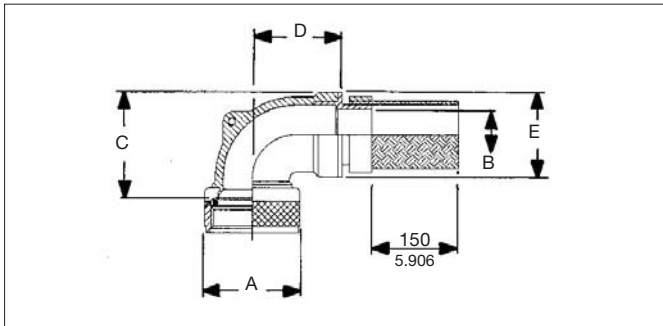


shell size	A Max	B Max	C Max	Max dia. Cable dia.	Mass Max gms
09	19.10	6.00	13.10	6.35	59
	.752	.236	.516	.250	
11	21.60	7.50	13.10	11.13	66
	.850	.295	.516	.438	
13	25.40	9.00	17.90	14.27	79
	1.000	.354	.705	.562	
15	27.90	12.50	17.90	15.88	98
	1.098	.492	.705	.625	
17	31.80	15.50	24.20	19.05	122
	1.252	.610	.953	.750	
19	35.60	18.50	24.20	22.23	138
	1.402	.728	.953	.875	
21	38.10	22.00	30.60	28.58	162
	1.500	.866	1.205	1.125	
23	41.90	25.00	30.60	28.58	183
	1.650	.984	1.205	1.125	
25	44.50	25.00	30.60	28.58	197
	1.752	.984	1.205	1.125	

90° shielded, braided tail

CECC style L
FCI style L

Example of FCI order code :
JVS A 11 L 00 A

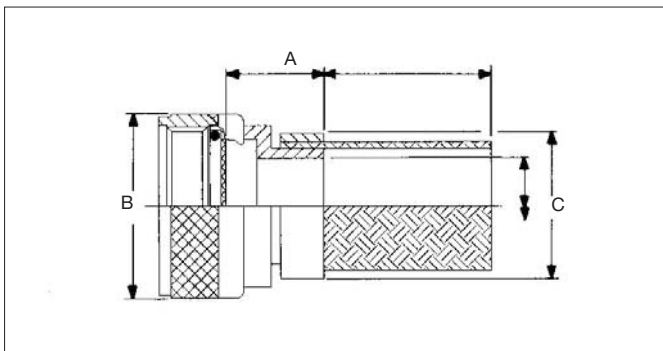


shell size	A Max	B Max	C Max	D Max	E Max	Max dia. Cable dia.	Mass Max gms
09	19.10	6.00	13.10	24.50	13.10	6.35	65
	.752	.236	.516	.965	.516	.250	
11	21.60	7.50	13.10	26.00	13.10	11.13	73
	.850	.295	.516	1.024	.516	.438	
13	25.40	9.00	17.90	27.50	17.90	14.27	87
	1.000	.354	.705	1.083	.705	.562	
15	27.90	12.50	17.90	29.00	17.90	15.88	108
	1.098	.492	.705	1.142	.705	.625	
17	31.80	15.50	24.20	30.50	24.20	19.05	126
	1.252	.610	.953	1.201	.953	.750	
19	35.60	18.50	24.20	32.50	24.20	22.23	152
	1.402	.728	.953	1.280	.953	.875	
21	38.10	22.00	30.60	34.00	30.60	28.58	173
	1.500	.866	1.205	1.339	1.205	1.125	
23	41.90	25.00	30.60	35.50	30.60	28.58	201
	1.650	.984	1.205	1.398	1.205	1.125	
25	44.50	25.00	30.60	37.00	30.60	28.58	217
	1.752	.984	1.205	1.457	1.205	1.125	

Straight shielded with screen clamp

CECC style Y
FCI style Y

Example of FCI order code :
JVS A 11 Y 00 A



shell size	A Max	B Max	C Cable dia. Max
09	72.00	19.00	13.00
	2.835	.748	.512
11	72.00	21.50	15.50
	2.835	.846	.610
11A	74.00	21.50	19.50
	2.913	.846	.768
13	72.00	24.50	15.50
	2.835	.965	.610
13A	74.00	24.50	19.50
	2.913	.965	.768
15	74.00	28.00	19.50
	2.913	1.102	.768
17	74.00	32.00	22.50
	2.913	1.260	.886
17A	78.00	32.00	26.00
	3.071	1.260	1.024
21	78.00	38.00	24.00
	3.071	1.496	.945
25	78.00	44.50	33.00
	3.071	1.752	1.299

Designed for use with a range of Screened Neoprene insulated Marine Cables, may be sealed by Heat Shrink Boot. Cable Specification: MN 8211E
For Housing Size 19 & 23 please consult our sales office.

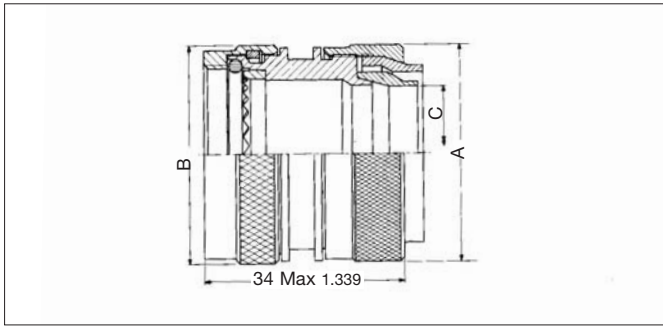
JVS Bronze Series



Straight adapter, heat shrink boot - version with screened cable retention

CECC style X
FCI style X

Example of FCI order code :
JVS A 09 X 00 A

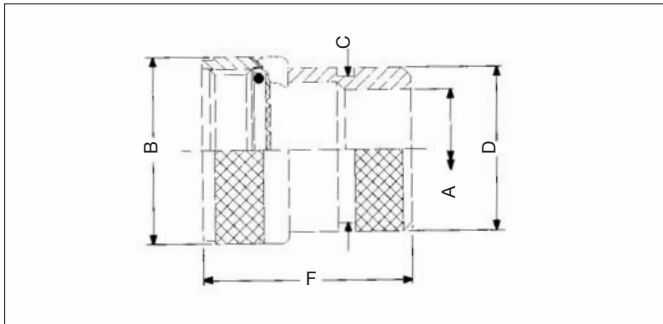


shell size	A Max	B	C
09	16.00	18.50	6.85
	.630	.728	.270
11	19.00	21.20	9.55
	.748	.835	.376
13	22.00	24.10	12.65
	.866	.949	.498
15	25.00	27.70	14.75
	.984	1.091	.581
17	28.50	31.50	17.85
	1.122	1.240	.703
19	31.50	35.00	19.85
	1.240	1.378	.781
21	35.00	37.80	23.05
	1.378	1.488	.907
23	38.00	40.70	26.15
	1.496	1.602	1.030
25	41.00	44.00	28.75
	1.614	1.732	1.132

Straight adapter, heat shrink boot

CECC style P
FCI style P

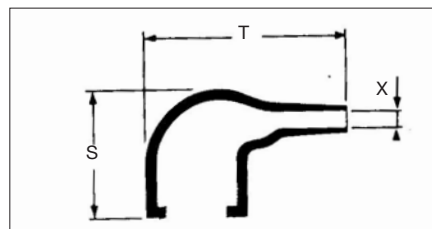
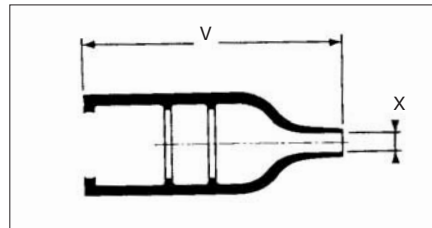
Example of FCI order code :
JVS A 11 P 00 A



shell size	A min	B	C	D Max	F Max
09	6.50	18.50	10.66	13.40	23.00
	.256	.728	.420	.528	.906
11	9.60	21.20	12.66	15.20	23.00
	.378	.835	.498	.598	.906
13	13.00	24.10	16.96	19.50	23.00
	.512	.949	.668	.768	.906
15	16.00	27.70	18.66	21.00	23.00
	.630	1.091	.735	.827	.906
17	19.10	31.50	21.86	24.45	23.00
	.752	1.240	.861	.963	.906
19	20.70	35.00	23.86	26.40	23.00
	.815	1.378	.939	1.039	.906
21	23.90	37.80	26.70	30.50	23.00
	.941	1.488	1.051	1.201	.906
23	27.00	40.70	30.40	34.00	23.00
	1.063	1.602	1.197	1.339	.906
25	30.20	44.00	32.95	36.65	23.00
	1.189	1.732	1.297	1.443	.906

Heat shrink boot

CECC style D & C
FCI style D & C



CECC style F & E
FCI style F & E

Example of FCI order code :
JVS D 13 F 00X

shell size	S	T	V	X
09	22.60	27.40	38.40	5.60
	.890	1.079	1.512	.220
11	27.60	41.90	54.90	6.60
	1.087	1.650	2.161	.260
13	31.00	46.70	66.80	7.10
	1.220	1.839	2.630	.280
15	31.00	46.70	66.80	7.10
	1.220	1.839	2.630	.280
17	35.00	55.90	80.00	8.40
	1.378	2.201	3.150	.331
19	35.00	55.90	80.00	8.40
	1.378	2.201	3.150	.331
21	44.00	68.80	103.60	9.90
	1.732	2.709	4.079	.390
23	44.00	68.80	103.60	9.90
	1.732	2.709	4.079	.390
25	53.00	97.50	130.00	15.70
	2.087	3.839	5.118	.618

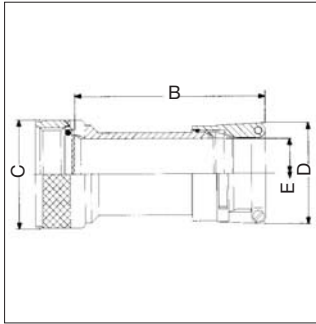
JVS Bronze Series



Shielded sealed straight

CECC style H
FCI style H

Example of FCI order code :
JVS A 17 H D0 A



shell size	B Max	C Max	D Max	cable size		Mass Max
				min	Max	
09	70.50 2.776	19.10 .752	20.30 .799	A	B	20
11	70.50 2.776	21.60 .850	20.30 .799	A	C	66
13	70.50 2.776	25.40 1.000	20.30 .799	B	D	81
15	73.09 2.878	29.20 1.150	34.30 1.350	B	E	96
17	73.73 2.903	31.80 1.252	35.00 1.378	B	F	111
19	76.90 3.028	35.60 1.402	38.10 1.500	C	G	137
21	80.08 3.153	39.40 1.551	41.30 1.626	C	H	142
23	80.08 3.153	41.90 1.650	45.30 1.783	C	J	155
25	80.08 3.153	47.00 1.850	45.30 1.783	D	K	168

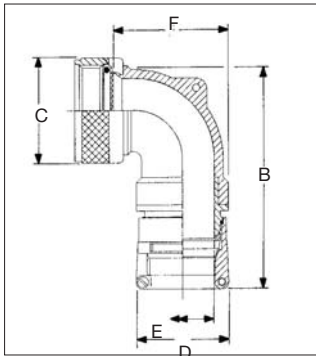
cable adapter size	cable accommodation range E	
	min	Max
	A	1.57 .062
B	3.18 .125	6.35 .250
C	6.35 .250	9.53 .375
D	9.53 .375	12.70 .500
E	12.70 .500	15.88 .625
F	15.88 .625	19.05 .750
G	19.05 .750	22.23 .875
H	22.23 .875	25.40 1.000
J	25.40 1.000	28.58 1.125
K	28.58 1.125	31.75 1.250

Table 2

Shielded sealed 90° angled

CECC style J
FCI style J

Example of FCI order code :
JVS A 19 J C0 A



shell size	B Max	C Max	D Max	E Max	cable size		Mass Max
					min	Max	
09	79.80 3.142	19.10 .752	20.30 .799	24.60 .969	A	B	56
11	82.80 3.260	21.60 .850	20.30 .799	28.00 1.102	A	C	68
13	83.30 3.280	25.40 1.000	20.30 .799	30.00 1.181	B	D	84
15	85.10 3.350	29.20 1.150	34.30 1.350	32.80 1.291	B	E	102
17	87.40 3.441	31.80 1.252	35.00 1.378	39.20 1.543	B	F	120
19	91.70 3.610	35.60 1.402	38.10 1.500	43.00 1.693	C	G	140
21	91.70 3.610	39.40 1.551	41.30 1.626	44.70 1.760	C	H	151
23	94.50 3.720	41.90 1.650	45.30 1.783	50.10 1.972	C	J	162
25	94.50 3.720	47.00 1.850	45.30 1.783	51.60 2.031	D	K	173

cable adapter size	cable accommodation range E	
	min	Max
	A	1.57 .062
B	3.18 .125	6.35 .250
C	6.35 .250	9.53 .375
D	9.53 .375	12.70 .500
E	12.70 .500	15.88 .625
F	15.88 .625	19.05 .750
G	19.05 .750	22.23 .875
H	22.23 .875	25.40 1.000
J	25.40 1.000	28.58 1.125
K	28.58 1.125	31.75 1.250

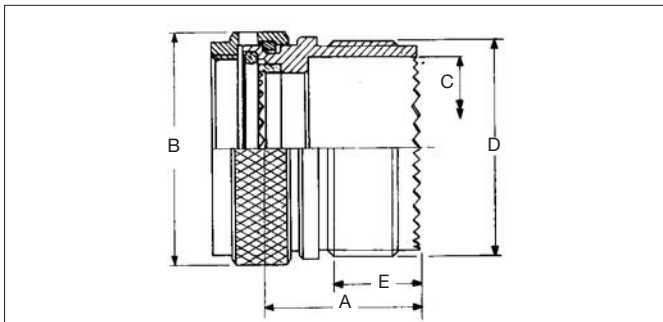
Table 2

Rear accessory thread adapter

For use with sealed (pattern 608) accessories styles D, E, F & G

CECC style Q
FCI style Q

Example of FCI order code :
JVS A 21 Q 00 A



shell size	B thread class 2A UNEF	C Max	D Ref	E	F	Mass Max (3)
09	7/16x28	19.00 .748	8.31 .327	9.98 .393	12.00 .472	40
11	9/16x24	21.60 .850	11.48 .452	12.98 .511	16.00 .630	45
13	11/16x24	25.40 1.000	14.66 .577	16.15 .636	20.00 .787	53
15	13/16x20	27.90 1.098	17.55 .691	19.08 .751	24.00 .945	62
17	15/16x20	31.80 1.252	20.75 .817	21.84 .860	28.00 1.102	76
19	11/16x18	35.60 1.402	23.24 .915	25.37 .999	32.00 1.260	85
21	13/16x18	38.10 1.500	26.42 1.040	28.32 1.115	36.00 1.417	100
23	15/16x18	41.90 1.650	29.59 1.165	31.45 1.238	40.00 1.575	118
25	17/16x18	44.50 1.752	32.77 1.290	34.42 1.355	44.00 1.732	138

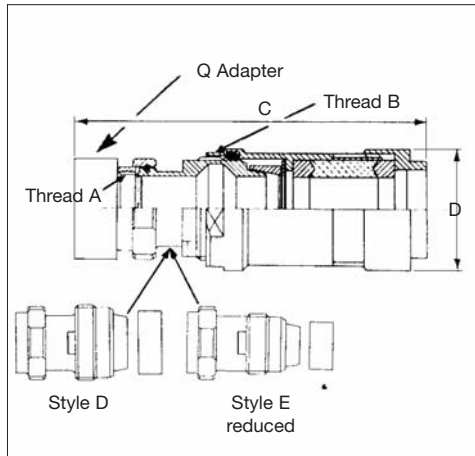
JVS Bronze Series



Shielded, sealed, (patter 608) styles

CECC style D & E
FCI style D & E

Example of FCI order code :
JVS A 23 D HH A



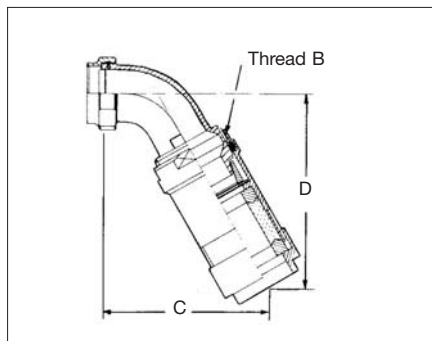
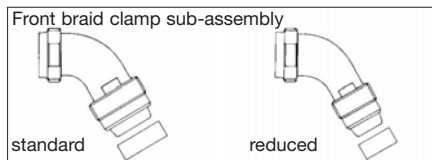
rear S/A size	cable seal kit	cable accommodation range	
		min	Max
A	A	4.00 .157	8.00 .315
	B	7.00 .276	11.00 .433
B	B	7.00 .276	11.00 .433
	C	10.00 .394	14.00 .551
C	C	7.00 .276	11.00 .433
	D	10.00 .394	14.00 .551
D	D	13.00 .512	17.00 .669
	E	16.00 .630	20.00 .787
E	E	7.00 .276	11.00 .433
	F	10.00 .394	14.00 .551
F	F	13.00 .512	17.00 .669
	G	16.00 .630	20.00 .787
G	G	10.00 .394	14.00 .551
	H	13.00 .512	17.00 .669
H	H	16.00 .630	20.00 .787
	J	19.00 .748	23.00 .906
J	J	10.00 .394	14.00 .551
	K	13.00 .512	17.00 .669
K	K	16.00 .630	20.00 .787
	L	19.00 .748	23.00 .906
L	L	13.00 .512	17.00 .669
	M	16.00 .630	20.00 .787
M	M	19.00 .748	23.00 .906
	N	22.00 .866	26.00 1.024
N	N	13.00 .512	17.00 .669
	O	16.00 .630	20.00 .787
O	O	19.00 .748	23.00 .906
	P	22.00 .866	26.00 1.024
P	P	25.00 .984	29.00 1.142
	Q	13.00 .512	17.00 .669
Q	Q	16.00 .630	20.00 .787
	R	19.00 .748	23.00 .906
R	R	22.00 .866	26.00 1.024
	S	25.00 .984	29.00 1.142
S	S	28.00 1.102	32.00 1.260
	T		

shell size	thread A UNEF	style D (standard)		style E (reduced)		C Max	D Max
		thread B.1 UNEF	rear S/A size	thread B.2 UNEF	rear S/A size		
09	7/16x28	11/16x20	A			91.00 3.583	21.00 .827
11	9/16x24	13/16x20	B	11/16x20	A	91.00 3.583	23.80 .937
13	11/16x24	15/16x20	C	13/16x20	B	91.00 3.583	28.20 1.110
15	13/16x20	1 1/16x20	D	13/16x20	B	91.00 3.583	31.30 1.232
17	15/16x20	1 1/4 x20	E	15/16x20	C	91.00 3.583	36.50 1.437
19	1 1/16x18	1 3/8 x20	F	1 1/16x20	D	91.00 3.583	39.30 1.547
21	1 3/16x18	1 1/2 x20	G	1 1/4 x20	E	96.00 3.780	42.50 1.673
23	1 5/16x18	1 9/16x20	H	1 1/4 x20	E	96.00 3.780	45.40 1.787
25	1 7/16x18	1 11/16x20	J	1 3/8 x20	F	96.00 3.780	48.00 1.890

Angled

CECC style F & G
FCI style F & G

Example of FCI order code :
JVS A 25 G FF A



shell size	thread A UNEF	style F (standard)		style G (reduced)		C Max	D Max
		thread B.1 UNEF	rear S/A size	thread B.2 UNEF	rear S/A size		
09	7/16x28	11/16x20	A			64.40 2.535	69.60 2.740
11	9/16x24	13/16x20	B	11/16x20	A	65.50 2.579	70.00 2.756
13	11/16x24	15/16x20	C	13/16x20	B	70.40 2.772	72.80 2.866
15	13/16x20	1 1/16x20	D	13/16x20	B	71.60 2.819	73.50 2.894
17	15/16x20	1 1/4 x20	E	15/16x20	C	78.90 3.106	80.70 3.177
19	1 1/16x18	1 3/8 x20	F	1 1/16x20	D	80.10 3.154	81.40 3.205
21	1 3/16x18	1 1/2 x20	G	1 1/4 x20	E	81.30 3.201	82.20 3.236
23	1 5/16x18	1 9/16x20	H	1 1/4 x20	E	82.50 3.248	82.90 3.264
25	1 7/16x18	1 11/16x20	J	1 3/8 x20	F	83.90 3.303	83.70 3.295

JVS Bronze Series

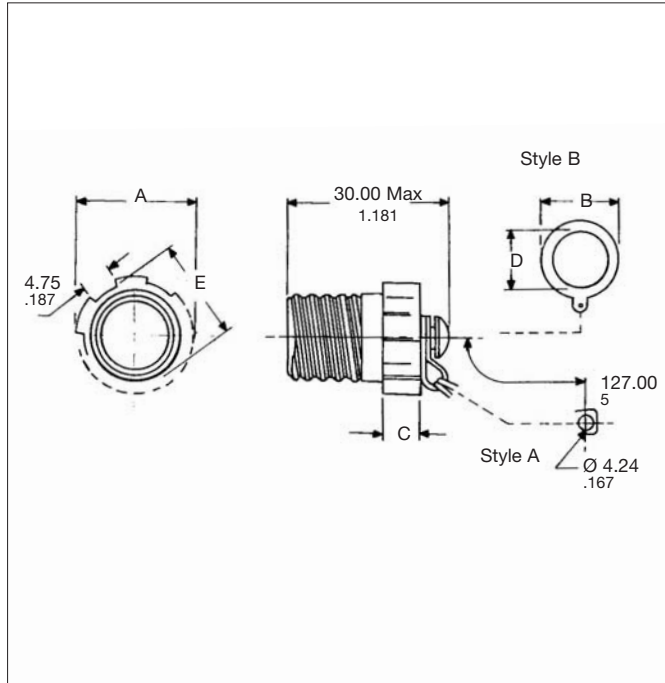


Protective covers (blanking caps) - accessories style B

Cap for free connector

CECC style A & B
FCI style A & B

Example of FCI order code :
JVS B 11 A00A

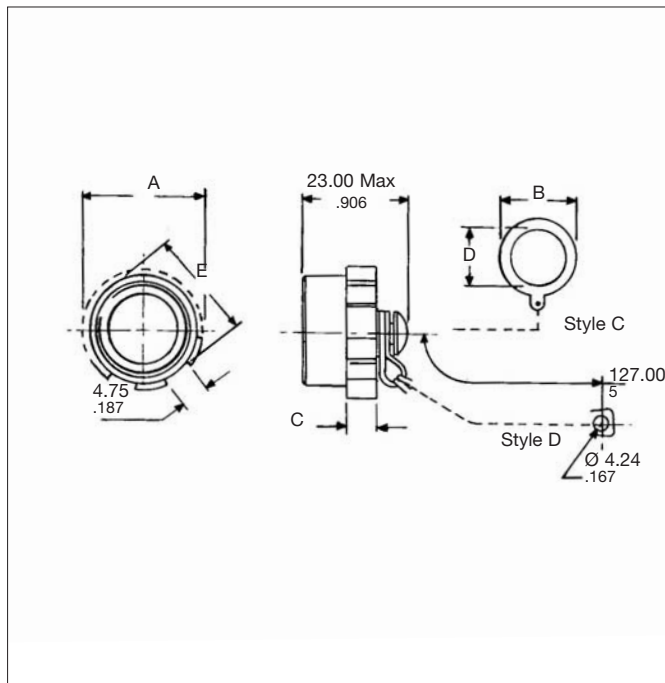


shell size	A Max	B Max	C	D min	E Max	F	Mass Max
09	21.10 .831	24.00 .945	6.60/6.80 .260 / .268	13.00 .512	19.20 .756	8.00 .315	69
11	23.80 .937	27.00 1.063	6.60 / 6.80 .260 / .268	18.00 .709	21.76 .857	8.00 .315	97
13	28.20 1.110	30.00 1.181	6.60/6.80 .260 / .268	20.00 .787	26.11 1.028	10.00 .394	139
15	31.40 1.236	31.00 1.220	6.60/6.80 .260 / .268	23.00 .906	29.28 1.153	10.00 .394	181
17	36.50 1.437	37.00 1.457	6.60/6.80 .260 / .268	26.00 1.024	34.36 1.353	12.00 .472	242
19	39.30 1.547	40.00 1.575	6.60/6.80 .260 / .268	29.00 1.142	37.20 1.465	12.00 .472	296
21	42.50 1.673	44.00 1.732	6.60 / 6.80 .260 / .268	32.00 1.260	40.50 1.594	16.00 .630	370
23	45.30 1.783	46.00 1.811	6.60 / 6.80 .260 / .268	34.00 1.339	43.07 1.696	16.00 .630	389
25	48.40 1.906	49.00 1.929	6.60 / 6.80 .260 / .268	39.00 1.535	46.10 1.815	18.00 .709	483

Cap for free connector

CECC style C & D
FCI style C & D

Example of FCI order code :
JVS B 11 C00A



shell size	A Max	B Max	C	D min	E Max	F	Mass Max
09	21.10 .831	27.00 1.063	6.80 .268	17.70 .697	19.20 .756	8.00 .315	69
11	23.80 .937	32.00 1.260	6.80 .268	22.00 .866	21.76 .857	8.00 .315	97
13	28.20 1.110	37.00 1.457	6.80 .268	25.20 .992	26.11 1.028	10.00 .394	139
15	31.40 1.236	40.00 1.575	6.80 .268	30.00 1.181	29.28 1.153	10.00 .394	181
17	36.50 1.437	44.00 1.732	6.80 .268	32.00 1.260	34.36 1.353	12.00 .472	242
19	39.30 1.547	46.00 1.811	6.80 .268	36.30 1.429	37.20 1.465	12.00 .472	296
21	42.50 1.673	49.00 1.929	6.80 .268	38.30 1.508	40.50 1.594	16.00 .630	370
23	45.30 1.783	54.00 2.126	6.80 .268	42.70 1.681	43.07 1.696	16.00 .630	389
25	48.40 1.906	56.00 2.205	6.80 .268	44.50 1.752	46.10 1.815	18.00 .709	483